



## General description

The Skum SK 140 is a rugged mobile unit designed for one-man operation in the application of low and medium expansion foam. The SK 140 can deliver all types of foam concentrate to match the risk being protected and when used in conjunction with a medium expansion foam solution, the unit is an excellent tool for applying vapour suppressing foams.

## Application description

Ideal for the protection of oil storage and loading terminals, paint and solvent stores, boiler rooms, ships' engine rooms, helipads, oil rigs and similar high risk locations.

## Alternative Fittings

Any low or medium expansion foam branchpipe can be used, along with a variable rate foam inductor. Alternatively, water spray branches can be supplied for use with film forming foam concentrates. International hose couplings can be supplied to customer's requirements.

Marine version includes gunmetal inductors, stainless steel branchpipe and chassis..

## Performance

The performance of the SK 140 is dependent both on the inlet pressure and the foam branchpipe selected. Refer to the technical table for more information..

## Proportioning

- One man operation
- Large diameter fill cap
- Suitable for all types of foams
- Maintenance free solid rubber wheels
- Corrosion resistant body, painted steel frame
- 140 litre capacity chemically-resistant polyethylene tank
- Marine version available
- Fitted with 2 x 15 metre lengths of Viking fire hose as standard



by Tyco Fire Suppression & Building Products

[www.skum.com](http://www.skum.com)

Technical changes reserved without notice  
Copyright © 2009 Tyco Fire Suppression & Building Products

TYLENSKUM26 05/10

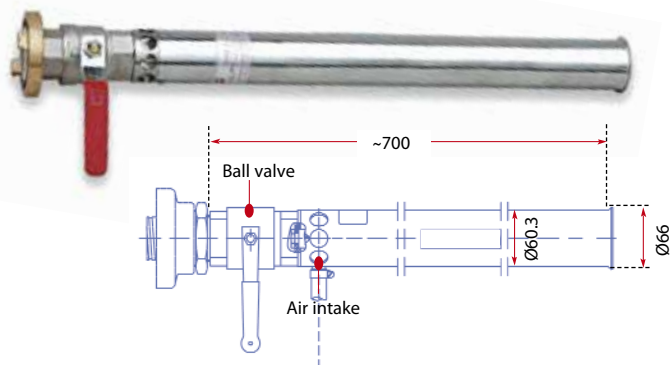


## Low Expansion Foam Branchpipes

The low expansion foam branchpipe MLR-40A is a portable, lightweight, stainless steel branchpipe, designed for an optimum combination of foaming and jet range, using all types of foam concentrate.

### Construction

Stainless steel and polyurethane construction for corrosion-resistant life. Lightweight nozzles and coupling with a strainer to prevent blockage by waterborne particulates.

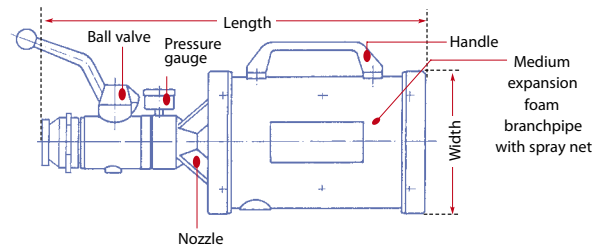


## Medium Expansion Foam Branchpipes

Medium expansion branchpipes capable of producing large quantities of foam with low water usage. Performs with high expansion fluoroproteins, multipurpose FFFP and ARC concentrate.

### Construction

Stainless steel and polyurethane construction for corrosion-resistant life. Lightweight nozzles and coupling with a strainer to prevent blockage by waterborne particulates.



### Performance data

#### MLR-40 A

Foam expansion ratio: Up to 15:1

Type	Water capacity (l/min)	Inlet pressure (bar)	Foam mixing (%)	Reaction force (N)
MLR-40 A	200	5	-	104
MLR-40 A	400	5	-	208

1 bar = 0,1 MPa = 14,5 psi. Other capacities available on request

## Order information

### Technical data

#### MLR-40 A

Operating pressure	5 bar
Nozzle flow	200 / 400 l/min
Maximum expansion rate	50:1
Throw (approx.)	22 / 26 m
Quantity of foam (approx.)	3 / 6 m <sup>3</sup> /min
External coupling thread	1½" BSP
Length	700 mm
Diameter	60 mm
Weight (approx.)	3,2 kg

### Description

### Part No.

SK-140 with MLR-40 200lpm, ind50, 2x15m w/o fire hose and couplings	101910204
SK-140 with MLR-40 200lpm, ind50, 2x15m Viking fire hose all without couplings. Couplings to be specified separately	101910207
SK-140 with MLR-40 200lpm, ind50, 2x15m Viking fire hose all with BSS 336 couplings	101910210
Marinised versions SK-140 Additional cost for marine version SK-140, 200lpm ind50	101910216
SK-140 with MLR-40 400lpm, ind100, 2x15m w/o fire hose and couplings	101910102
SK-140 with MLR-40 400 lpm, ind100,2x15m Viking fire hose all without couplings. Couplings to be specified separately	101910105
SK-140 with MLR-40 400lpm, ind100, 2x15m Viking fire hose all with BSS 336 couplings.	101910108

### Technical data

MRM	200P	400P
Operating pressure	5 bar	5 bar
Nozzle flow	200 l/min	400 l/min
Maximum expansion rate	50:1	50:1
Throw (approx.)	8 m	10 m
Quantity of foam (approx.)	10 m <sup>3</sup> /min	20 m <sup>3</sup> /min
External coupling thread	2" BSP	2" BSP
Length	520 mm	610 mm
Diameter	185 mm	260 mm
Weight (approx.)	3,5 kg	4,1 kg



by Tyco Fire Suppression & Building Products

www.skum.com

Technical changes reserved without notice  
Copyright © 2009 Tyco Fire Suppression & Building Products

TYLENSKUM26 05/10