



General description

The function of the stationary inline inductor is to inject foam liquid into a water stream. The inductor is designed to handle high back pressures, extending the distance from injection point to foam applicator.

Application description

An inline inductor is used in fixed installations, to inject low/medium and high expansion foam concentrates into water flow lines, for deluge and fire monitor installations.

Product features

- Corrosion resistant with brass body construction
- Factory calibrated to any flow and pressure within the range
- Integrated suction check valve
- MI series ranges from 100 l/min at 5.0 bar to 1450 l/min at 16 bar inlet pressure
- Suction height up to 3.5 m
- Foam induction up to 6%
- Installation in horizontal or vertical plane
- Hot-dipped galvanized steel flanges

Installation

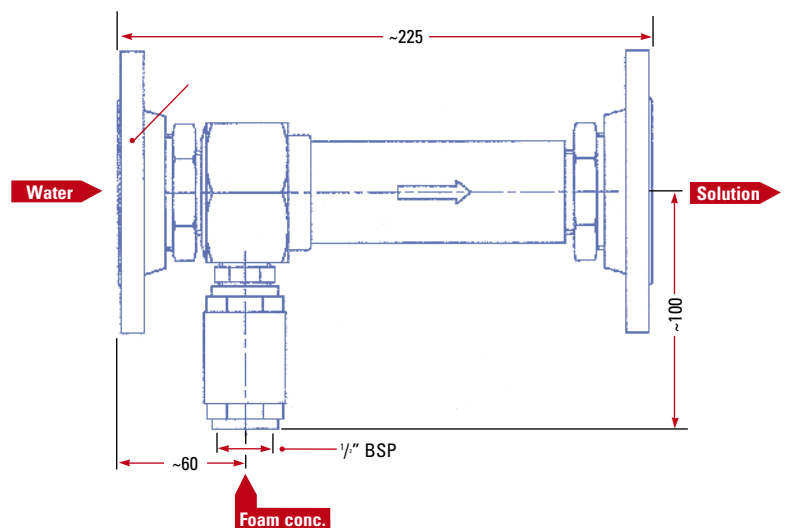
- Water inlet/outlet: to fit DIN PN16 or ANSI 150lbs or screw threaded BSP
- Foam inlet check valve: screw threaded BSP female

Optional components

- Foam inlet ball valve: screw threaded BSP female
- Optional bronze flanges
- Foam concentrate suction hose
- Inductors available in alternative materials - please enquire for further details



MI-25 / 40



Listings and approvals

- Det Norske Veritas DNV
- Russian Maritime Register of Shipping
- IS CIR
- American Bureau of Shipping (ABS)

Performance Data	
MI-25 and MI-25/40	
Water capacity at 16 bar	Max. 400 l/min
Working pressure	Max. 16 bar
Proportioning	Max. 6%
Pressure drop	Approx. 35% of inlet pressure

Technical Data		
	MI-25	MI-25/40
Connection: Water	Male 1" BSP	40 DIN PN 16 or 1 1/2" ANSI 150 lbs
Connection: Foam	Female 1/2" BSP	Female 1/2" BSP
Weight	2.6 kgs / 5.75 lbs	7 kg / 15.5 lbs
Material	Body	Brass
	Flange	Galvanized steel
Included	Foam conc. check valve	Foam conc. check valve
Optional	Foam conc. suction hose	Foam conc. suction hose

1 bar = 0,1 MPa = 14,5 psi



by Tyco Fire Suppression & Building Products

www.skum.com

Technical changes reserved without notice
 Copyright © 2009 Tyco Fire Suppression & Building Products

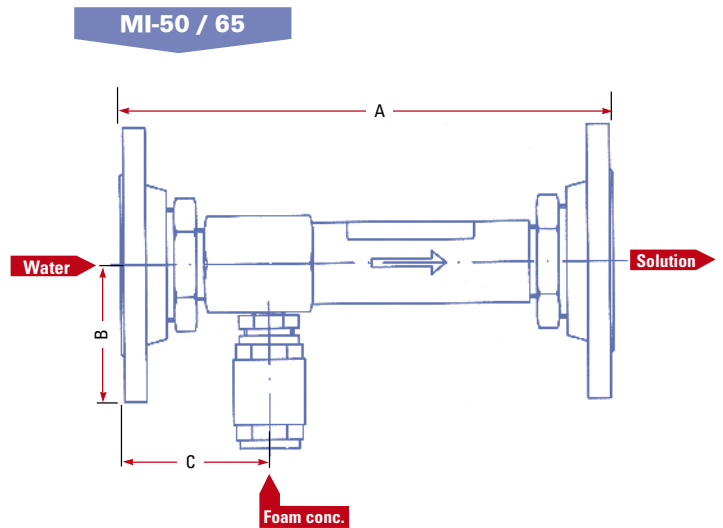
TYLENSKUM07 05/10



Order information - please specify:

1. Part number
2. Size
3. Flange type: DIN or ANSI
4. Water and foam capacity and inlet pressure
5. Type of foam concentrate and mixing rate

Description	Part No.
Part No.	Description
MI-25 F	121102505
MI-25 F 3% och 6%	121102422
MI-25/40 F DIN	121102519
MI-25/40 F ANSI	121102630
MI-25/50 F DIN	121102533
MI-25/50 F ANSI	121102637
MI-25/F 2" BSP Male	121102512
MI-25/P, c/w suctionhose & tube, 1/2", 1,5m	121102402
MI-40 F BSP	121304100
MI-40 F DIN	121304103
MI-40 F DIN 3-6%	121304105
MI-40 F ANSI	121304201
MI-40 F ANSI 3-6%	121304204
MI-40 P FC/T 1" 1,5m	121304082
MI-50 F DIN	121304107
MI-50 F DIN 3-6%	121304110
MI-50 F ANSI	121304205
MI-50 F ANSI 3-6%	121304207
MI-65 F DIN	121304114
MI-65 F DIN 3-6%	121304128
MI-65 F ANSI	121304212
MI-65 F ANSI 3-6%	121304226
MI-25 Suction hose FC/V Foamvalve 1/2" 1,5 m	121802305
MI-25 Suction hose w Tube FC/T 1/2" 1,5 m	121802181
MI-40 Suction hose FC 1" 1,5 m	121804059
MI-40 Suction hose w Tube FC/T 1" 1,5 m	121804024
MI-40-65 Suction hose FC/V Foamvalve 1" 1,5 m	121804307

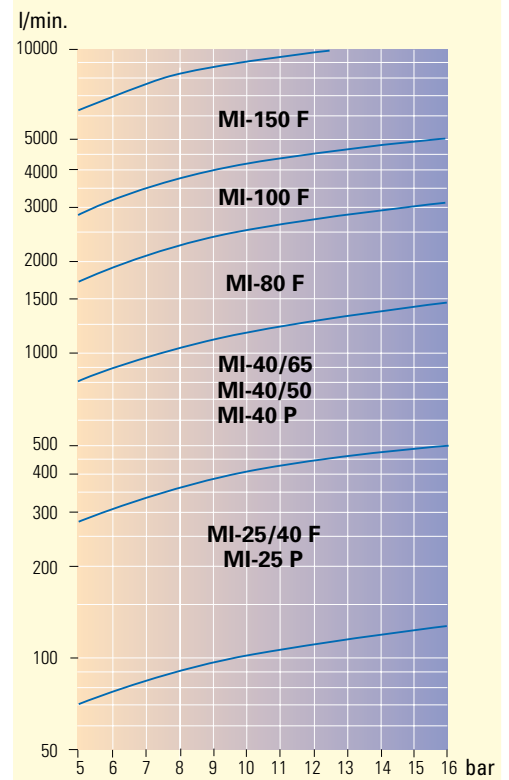


Performance Data

MI-40, MI-50 and MI-65

Water capacity at 16 bar	Max. 1450 l/min
Working pressure	Max. 16 bar
Proportioning	Max. 6%
Pressure drop	Approx. 35% of inlet pressure

Capacity Areas for Inline Inductors



Technical Data

	MI-40	MI-50	MI-65
Connection: Water	Female 1 1/2"	50 DIN PN 16 or 2" ANSI 150 lbs	65 DIN PN 16 or 2 1/2" ANSI 150 lbs
Connection: Foam conc.	Female 1" BSP	Female 1" BSP	Female 1" BSP
Weight	5.5 kg	10.5 kg	13 kg
Material Body	Brass	Brass	Brass
Material Flange		Galvanized steel	Galvanized steel
Dimensions approx: A	218 mm	330 mm	330 mm
B	123 mm	123 mm	123 mm
C	43 mm	100 mm	100 mm
Included		Foam conc. check valve	
Optional		Foam conc. suction hose	

1 bar = 0,1 MPa = 14,5 psi



by Tyco Fire Suppression & Building Products

www.skum.com

Technical changes reserved without notice
 Copyright © 2009 Tyco Fire Suppression & Building Products

TYLENSKUM07 05/10