

## HIEX Expansion Foam Generators Model HIEX - Louvers & Dampers

### Application

Electric actuated dampers and louvers are available when the use of outside air is required to generate a high-expansion foam blanket. These devices are especially suited for total flooding high-expansion foam systems where combustion products (smoke and soot) and heat produced from the material(s) involved would inhibit foam production. In warmer climates, air exchange may be unnecessary, and actuated dampers and louvers may not be required. However, in cold weather climates, they may be mandatory to reduce building heat loss during winter conditions.

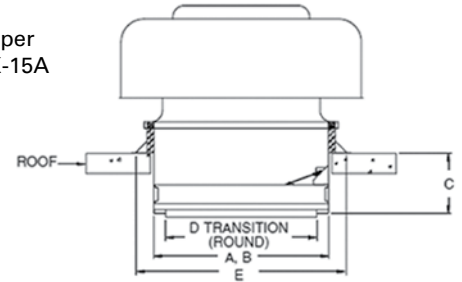
NFPA 11 Standard for "Low, Medium and High-Expansion Foam Systems" states "air from outside the hazard area shall be used for foam generation unless data is provided to show that air from inside the hazard can be successfully employed." SKUM has done testing with inside air and there are specific applications where it is recommended. If you have specific questions concerning this matter, contact our Technical Services.

### Description

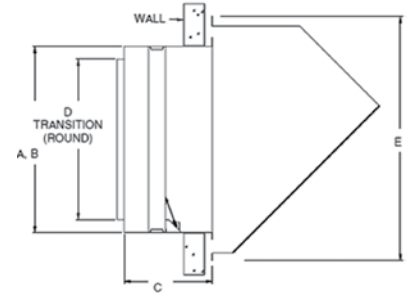
The actuated dampers and louvers are powered by 110 VAC and are failsafe open devices. Energized, the damper or louver is closed with loss of power to open. They are available with either NEMA 4 or NEMA 7 actuators.

Air intake dampers are available for wall or roof mounting. The wall mount damper is a complete package inclusive of the damper with actuator, weatherhood with birdscreen, and transition piece to intake of generator. The roof mount damper includes the same features as the wall mount damper as well as roof curbing. Wall relief louvers are comprised only of a louver with actuator and birdscreen.

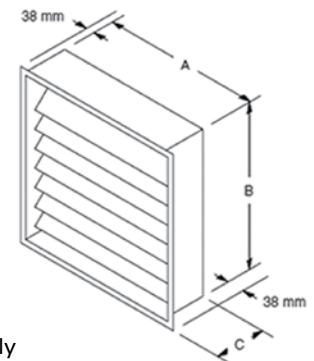
Roof Intake Damper Assembly - HIEX-15A & HIEX-27



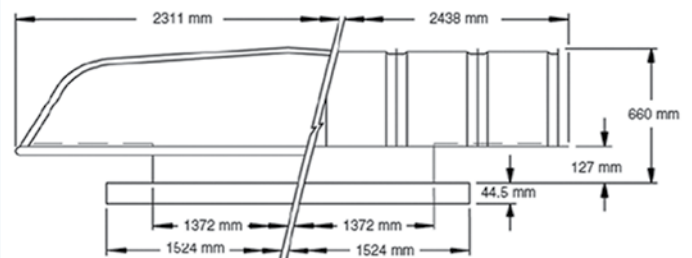
Wall Intake Damper Assembly



Wall Relief Louver Assembly



Roof Intake Damper Assembly -HIEX-27



### Ordering Information - Dimensions

Part No.		Model	Clearance Dimensions*					Shipping Weights	
NEMA 4	NEMA 7		A mm	B mm	C mm	D mm	E mm	NEMA 4 (kg)	NEMA 7 (kg)
430060	430061	Wall Intake Damper Assembly -HIEX-5A	1118	1118	610	1060	1314	109	119
430062	430063	Roof Intake Damper Assembly -HIEX-5A	1168	1168	406	1067	1467	129	139
430064	430065	Wall Relief Louver Assembly -HIEX-5A	762	1219	152			23	33
430066	430067	Wall Intake Damper Assembly -HIEX-15A/27	1372	1372	610	1340	1470	143	153
430068	430069	Roof Intake Damper Assembly -HIEX-15A	1372	1372	406	1346	1670	164	174
430070	430071	Wall Relief Louver Assembly -HIEX-15A/27	1524	2134	152			64	74
437018	437097	Roof Intake Damper Assembly -HIEX-27	1372	1372	356	1346	1588	238	248

\* Actual dimensions of equipment will be approximately 6.4mm smaller than clearance dimensions listed