

Combi Foam Branchpipe Low/medium SM2-SM4

General Description

SM2 and SM4 branchpipes are designed for fire fighting to apply from the same unit both Low Expansion and Medium Expansion foams.

Low Expansion when applied provide an increased safety by the greater possible distance of application (longer throw length) as well as a higher cooling effect. Medium expansion foams provide when applied an increased safety during the intervention especially when flammable liquids are involved. Risks of possible re-ignition of flammable liquids are considerably reduced due to the height of foam blanket created. It is also possible to fill small room and to blanket flammable liquids as a preventive measure.

With a combined foam branchpipe it is possible to benefit from the advantages of both types of foam. The change-over from medium to low expansion foam is carried out very quickly by moving a lever.

Application

Typical application for those branchpipes are oil and chemical industries, general industry, airports, fire brigades.

Product Features

- High Protection against corrosion
- Low weight equipment
- Available in 200 and 400 L/min
- Possibility to switch for Medium Expansion to Low Expansion during intervention
- Pressure gauge to show water pressure at branchpipe
- Perform with all foams including AFFF-ARC

Construction

The combination branchpipe consists of a nozzle assembly with a switch mechanism and two tubes. The inner tube produces low expansion foam and the outer tube the medium expansion foam. A built-in strainer prevents blockage of the nozzle.

By using stainless steel and tough polyurethane, optimum protection against corrosion is ensured. The nozzle is made of light metal as are the coupling and shut-off valve.



Recommended Foam Concentrate

SM2 and SM4 Medium Expansion foam branchpipes performs well with fluoroprotein, multipurpose, AFFF, FFFP and ARC foam concentrates.

The foam concentrate used with SM2 and SM4 branchpipes have to be of a suitable type for the risk to be protected (e.g. ARC foam concentrates for water miscible liquid fires).

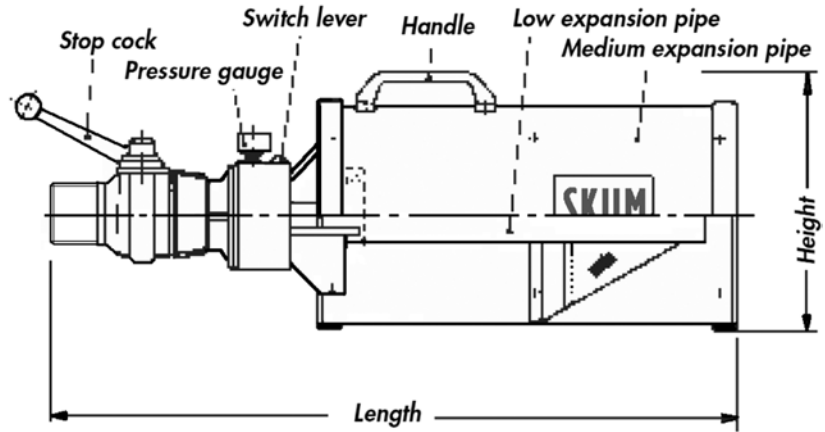
For more information or regarding specific guidelines please contact us or email info@skum.com

Technical Data

	SM2	SM4
■ Water flow	200 lpm	400 lpm
■ Operating pressure	5 bar	
■ Expansion rate approx.	Low = 15 Medium = 50	
■ Throw approx	Low = 20m Med = 7m	Low = 27m Med = 8m
■ Qty of foam/min approx.	Low = 3 m ³ Med = 10 m ³	
■ Inlet connection	2" (DN50) female BSP	
■ Length (with stop valve)	610 mm	665 mm
■ Max width	250 mm	305 mm
■ Weight	5.06 kg	7.1 kg

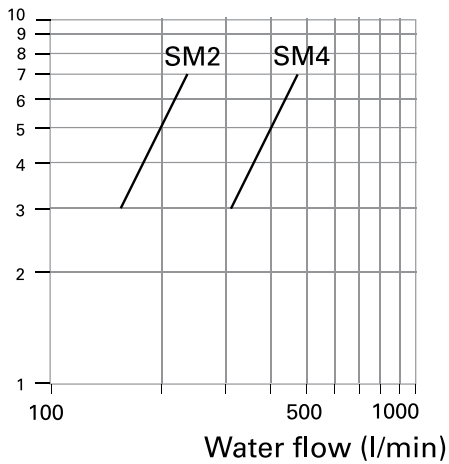
Order Information - Please Specify

Part No.	Description
■ 101824012	M2 Combi Branchpipe
■ 101824018	M4 Combi Branchpipe



Pressure vs Flow Rate

pressure
(bar)



Pressure vs Throw Range

pressure
(bar)

