

## Fog/Jet Monitor FJM-FJF/SLN

### General Description

Powerful fire extinguishing monitor with exceptional performance characteristics. Available with remote or manual operation including fog/jet pattern control. The FJF nozzle is manually adjustable for flows from 5,000 l/min to 20,000 l/min. The SLN monitor has an automatic nozzle that can handle a variable flow range from 5,000 l/min to 20,000 l/min at a constant inlet pressure.

### Application Description

Designed for fixed mounting, it is optimised to deliver water or foam. Remote control operation allows you to adjust and vary the stream from solid jet to a fog pattern.

The FJF nozzle is commonly used where variable flows are required and encountered due to the water supply or when a water and foam monitor are combined into one unit. The nozzle can be remotely set for the designated flow during operation.

The SLN uses an automatic nozzle, often used for marine FiFi 1 class systems where an additional foam capability is required.

The FJM SLN is used preferably with the Skum Inline foam inductor. The manually operated FJM-200 FJF can be used on FiFi tugs or mounted on trailers.

### Product Features

- Remote control or manual operation
- Adjustable flow to nominal capacity of 20,000 l/min
- Fulfils the requirements of FiFi 1 class
- Compact, balanced design
- Low weight
- Easy to operate due to low friction bearing
- Long throw length of 130 m
- Adjustable stream pattern
- Corrosion resistant construction of stainless steel and bronze
- Available with EEx(e) and (de) electrical equipment
- Manual override as standard



### Connections

- Foam/water inlet: flanged according to DIN PN 16, ANSI 150 lbs and JIS 10K

### Optional Components

- Power supply from 12V DC to 440V AC available.
- Control and operating panel, choice of configuration or custom built as per FiFi requirements.
- Foam Proportioning system using Around the Pump Proportioners (PI), Inline Inductors (MI) or Pump Proportioners (PP).

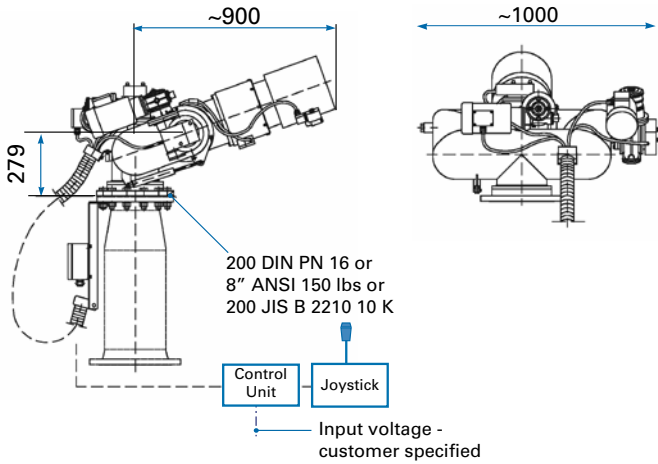
### Listings and Approvals

- Det Norske Veritas DNV
- Bureau Veritas (BV)
- Lloyds Register of Shipping (LRS)
- Russian Maritime Register of Shipping (RMRS)

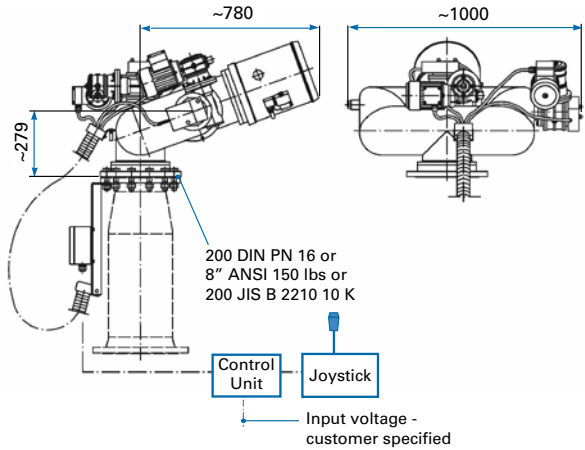
### Order Information - Please Specify

1. Part number
2. Type
3. Flange type
4. Capacity: flow and pressure
6. Motor and Solenoid voltage

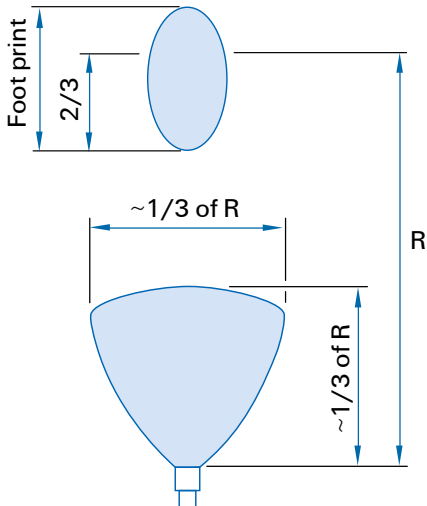
### FJM-200 EL FJF



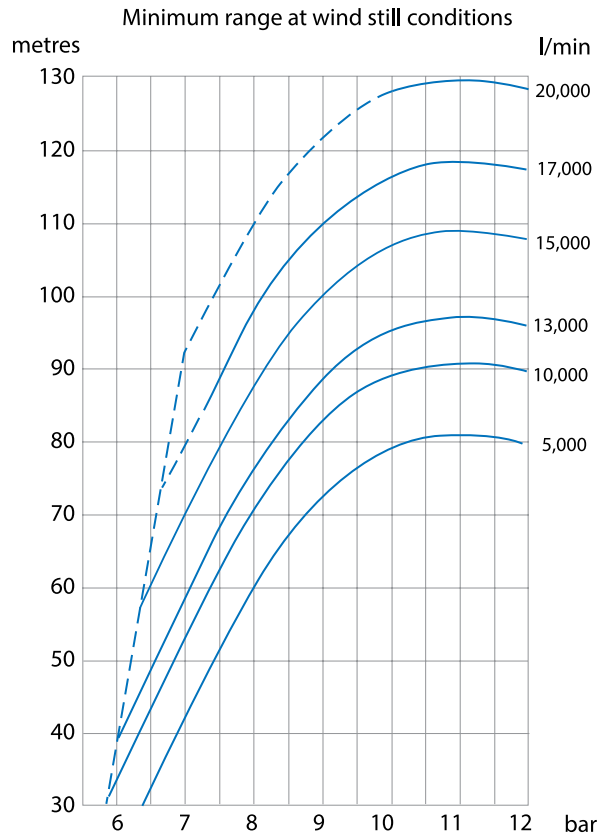
### FJM-200 EL SLN



### FJM Monitors Average Fog Pattern (In Still Air)



### FJM-200 SLN / FJF Monitor Range of Jet



Reaction force (N) = 0.233 x Q (l/min) x √p (bar)

Part No.

Description

- 162120124 FJM-200 EL FJF DIN
- 162120226 FJM-200 EL FJF ANSI
- 162120117 FJM-200 EL SLN DIN
- 162120219 FJM-200 EL SLN ANSI

## Performance Data

| Type               | FJM-200 EL FJF                 | FJM-200 EL SLN                 | FJM-200 FJF Manual             |
|--------------------|--------------------------------|--------------------------------|--------------------------------|
| ■ Water capacity   | 5,000l/min - 20,000l/min       | 5,000l/min - 20,000l/min       | 5,000l/min - 20,000l/min       |
| ■ Inlet connection | 200 DIN PN16 or 8" ANSI 150lbs | 200 DIN PN16 or 8" ANSI 150lbs | 200 DIN PN16 or 8" ANSI 150lbs |
| ■ Design pressure  | 13 bar                         | 13 bar                         | 13 bar                         |
| ■ Rotation         | ± 178°                         | ± 178°                         | ± 180°                         |
| ■ Elevation        | -30° to +70°                   | -60° to +70°                   | -10° to +70°                   |
| ■ Weight           | 164 kgs / 360 lbs              | 164 kgs / 360 lbs              | 130 kgs / 287 lbs              |

1 bar = 0.1 MPa = 14.5 psi