

## Inline Inductor MI-25, 25/40, 40, 50, 65

### General Description

The function of the stationary inline inductor is to inject foam liquid into a water stream. The inductor is designed to handle high back pressures, extending the distance from injection point to foam applicator.

### Application Description

An inline inductor is used in fixed installations to inject low/medium and high expansion foam concentrates into water flow lines for deluge and fire monitor installations.

### Product Features

- Corrosion resistant with brass body construction
- Factory calibrated to any flow and pressure within the range
- Integrated suction check valve
- MI series ranges from 100 l/min at 5.0 bar to 1,450 l/min at 16 bar inlet pressure
- Suction height up to 3.5 mtr
- Foam induction up to 6%
- Installation in horizontal or vertical plane
- Hot-dipped galvanized steel flanges

### Installation

- Water inlet/outlet: to fit DIN PN16 or ANSI 150 lbs or screw threaded BSP
- Foam inlet check valve: screw threaded BSP female

### Optional Components

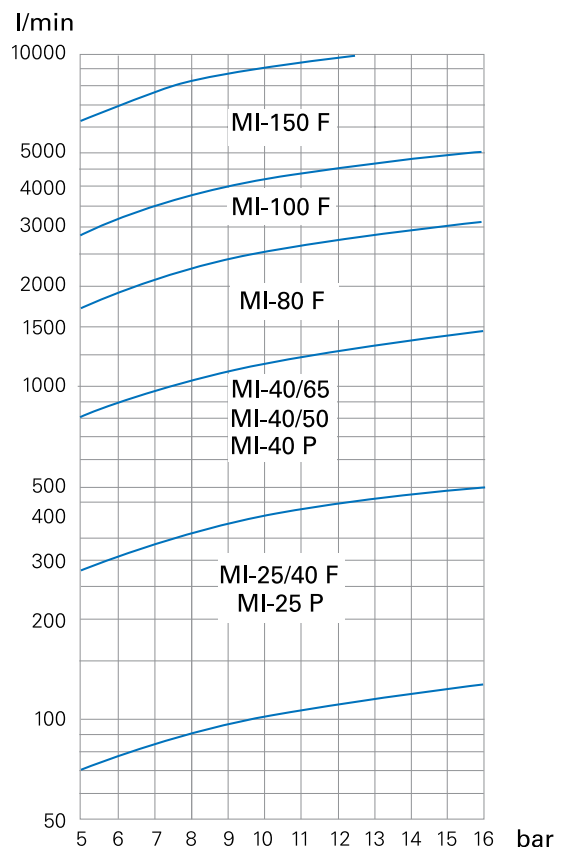
- Foam inlet ball valve: screw threaded BSP female
- Optional bronze flanges
- Foam concentrate suction hose
- Inductors available in alternative materials -please enquire for further details

### Listings and Approvals

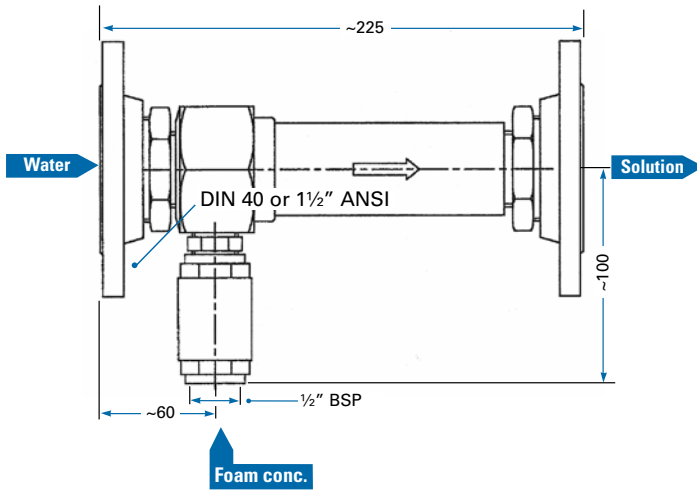
- Russian Maritime Register of Shipping (RMRS)
- Tanusitvany (Hungary)
- Det Norske Veritas DNV (MI-25, 25/40, 40 for use with MLR-40/SA systems only)



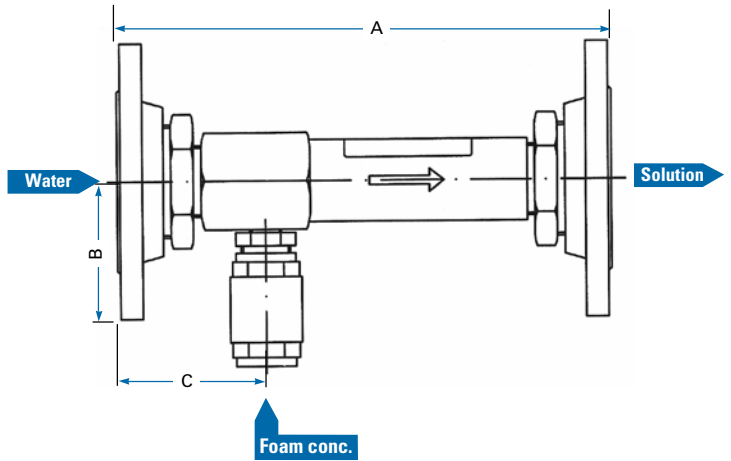
### Capacity Areas for Inline Inductors



**MI-25 / 40**



**MI-50 / 65**



For dimensions A, B & C see table below

**Performance Data**

	MI-25 and MI-25/40	MI-40, MI-50 and MI-65
■ Water capacity at 16 bar	Max 400 l/min	Max 1,450 l/min
■ Working pressure	Max 16 bar	Max 16 bar
■ Proportioning	Max 6%	Max 6%
■ Pressure drop	Approx 35% of inlet pressure	Approx 35% of inlet pressure

**Technical Data**

	MI-25	MI-25/40	MI-40	MI-50	MI-65
■ Connection: Water	Male 1" BSP	40 DIN PN 16 or 1 1/2" ANSI 150 lbs	Female 1 1/2"	50 DIN PN 16 or 2" ANSI 150 lbs	65 DIN PN 16 or 2 1/2" ANSI 150 lbs
■ Connection: Foam	Female 1/2" BSP	Female 1/2" BSP	Female 1" BSP	Female 1" BSP	Female 1" BSP
■ Weight	2.6 kgs / 5.75 lbs	7 kgs / 15.5 lbs	5.5 kgs	7 kgs / 15.5 lbs	
■ Material: Body	Brass	Brass	Brass	Brass	Brass
■ Material: Flange	Galvanized steel	Galvanized steel	Galvanized steel	Galvanized steel	Galvanized steel
■ Included	Foam conc. check valve	Foam conc. check valve	Foam conc. check valve	Foam conc. check valve	Foam conc. check valve
■ Optional	Foam conc. suction hose	Foam conc. suction hose	Foam conc. suction hose	Foam conc. suction hose	Foam conc. suction hose
■ Dimensions approx: A			218 mm	330 mm	330 mm
■ Dimensions approx: B			123 mm	123 mm	123 mm
■ Dimensions approx: C			43 mm	100 mm	100 mm

1 bar = 0.1 MPa = 14.5 psi

## Order Information - Please Specify

1. Part number
2. Size
3. Flange type: DIN or ANSI
4. Length of hose / tank height

<u>Part No.</u>	<u>Description</u>
■ 121102505	MI-25 F
■ 121102422	MI-25 F 3% or 6%
■ 121102519	MI-25/40 F DIN
■ 121102630	MI-25/40 F ANSI
■ 121102533	MI-25/50 F DIN
■ 121102637	MI-25/50 F ANSI
■ 121102512	MI-25/F 2" BSP Male
■ 121102402	MI-25/P, c/w suction hose & tube, >" , 1.5 mtr
■ 121304100	MI-40 F BSP
■ 121304103	MI-40 F DIN
■ 121304105	MI-40 F DIN 3-6%
■ 121304201	MI-40 F ANSI
■ 121304204	MI-40 F ANSI 3-6%
■ 121304082	MI-40 P FC/T 1" 1.5 mtr
■ 121304107	MI-50 F DIN
■ 121304110	MI-50 F DIN 3-6%
■ 121304205	MI-50 F ANSI
■ 121304207	MI-50 F ANSI 3-6%
■ 121304114	MI-65 F DIN
■ 121304128	MI-65 F DIN 3-6%
■ 121304212	MI-65 F ANSI
■ 121304226	MI-65 F ANSI 3-6%
■ 121802305	MI-25 Suction hose FC/V Foam valve >" 1.5 mtr
■ 121802181	MI-25 Suction hose w Tube FC/T 1/2" 1.5 mtr
■ 121804059	MI-40 Suction hose FC 1" 1.5 mtr
■ 121804024	MI-40 Suction hose w Tube FC/T 1" 1.5 mtr
■ 121804307	MI-40-65 Suction hose FC/V Foam valve 1" 1.5 mtr