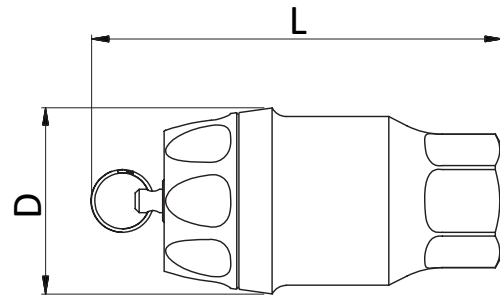
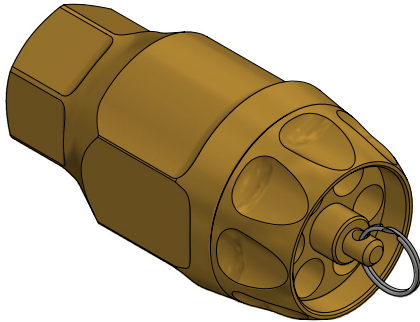




Automatic Drain Valve

The Incendium Automatic Drain Valve (ADV) is an efficient, reliable and compact drain valve. The ADV, in comparison to similar drain valves, does not leak during normal operation. The ADV has been tested for use at pressures up to 40 bar (PN40).



DIMENSIONAL DATA

Model	L [mm]	D [mm]	Connection	Weight [kg]
ADV-20	105	Ø48	3/4" BSP Female	0,5

All parts have been selected for reliable and trouble free service using corrosion resistant materials for low maintenance.

Material:

Body: Brass
Spring: Stainless steel (316/316L)
Plunge: Polyoxymethylene

PERFORMANCE DATA

Model	Flow rate	Opening pressure	Closing pressure
ADV-20 1B	<20 lpm	<1 bar	>0,5 bar
ADV-20 2B	<20 lpm	<2 bar	>1,5 bar

When a system with the ADV operates with a pressurized flow of more than the given closing pressure, the ADV will automatically close. After the system has been deactivated, and the static pressure drops below the given opening pressure, the ADV will open and drain the fluid.

Product Features

- Reliable draining mechanism
- Manual functional test handle
- Uncomplicated maintenance/cleaning

PLACEMENT OF DRAIN VALVES

When installing the drain valves, the placements should be as shown.

Ascending pipes should have a drain valve at least every 10 or 20 meters (altitude) from the system highpoint depending on model.

With mixed height piping systems the ADV should be placed at every lowpoint as long as the height difference is no more than 10 or 20 meters depending on model.

The ADV can be mounted both horizontally or vertically, facing down. Vertical mounting is preferred.

