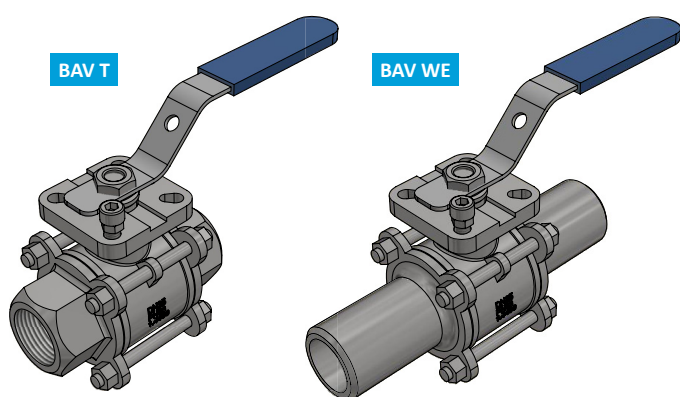
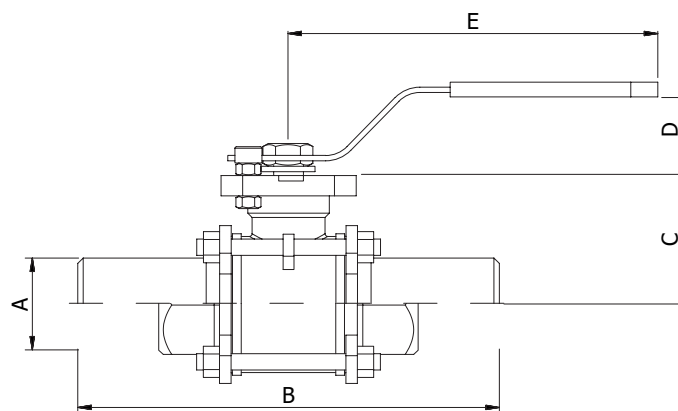




Ball valve

We offer a complete range of ball valves, both manual and electrically operated. The BAV is suitable for use in foam extinguishing systems in water, premix and foam concentrate lines.

The ball valve offers a completely secure, corrosive resistant seal thanks to the high grade stainless steel used in these valves. The BAV can be easily mounted with an electric actuator such as the RC for remote operation.



DIMENSIONAL DATA

Model	Length [mm]					Weight [kg]
	A	B	C*	D	E	
BAV-15 WE	21,3	180	38	26	120	0,8
BAV-15 T	½"	70	38	26	120	0,6
BAV-20 WE	26,9	180	47	26	120	1,1
BAV-20 T	¾"	80	47	26	120	0,8
BAV-25 WE	33,7	192	57,2	32	132	1,4
BAV-25 T	1"	90	57,2	32	132	1,2
BAV-32 WE	42,4	205	62,5	32	132	2,2
BAV-32 T	1¼"	110	62,5	32	132	1,7
BAV-40 WE	48,3	230	77,5	42	182	2,6
BAV-40 T	1½"	120	77,5	42	182	2,4
BAV-50 WE	60,3	243	86,5	42	182	4,2
BAV-50 T	2"	140	86,5	42	182	3,8
BAV-65 WE	76,1	294	108	32	370	7,9
BAV-65 T	2½"	165	108	32	370	7,3
BAV-80 WE	88,9	320	115	32	370	11,4
BAV-80 T	3"	188	115	32	370	10,9
BAV-100 WE	114	346	135	37	400	21,7
BAV-100 T	4"	232	135	37	400	20,1

*For mounting of electric actuator. Adapter needed in some cases.

Models WE: Weld end

Models T: Threaded BSP F

Material:

Housing: Stainless steel (316/316L)
 Ball: Stainless steel (316/316L)
 Seals: PTFE

Product Features

- Stainless Steel on parts in contact with liquid
- Easy to install
- Three piece full port
- Locking mechanism of lever as standard
- Threaded connection or weld end as standard
- Anti static
- Low maintenance design
- Top connection long neck according to ISO 5211
- Gear maneuver available as option
- Working temperature range -20°C to +110°C
- Working pressure minimum PN55 at +37°C

All parts have been selected for reliable and trouble free service using corrosion resistant materials for low maintenance.