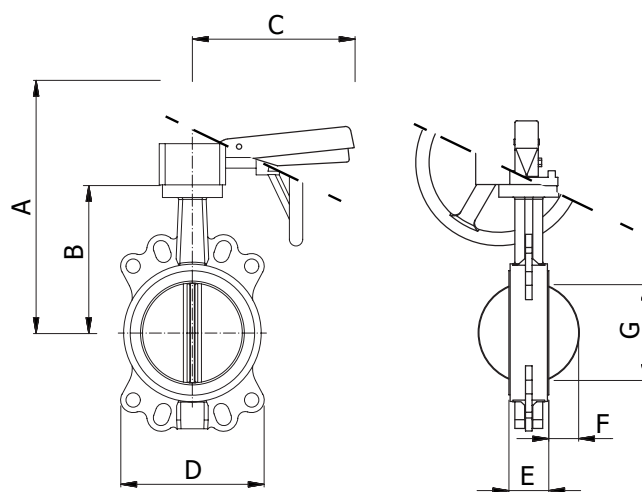
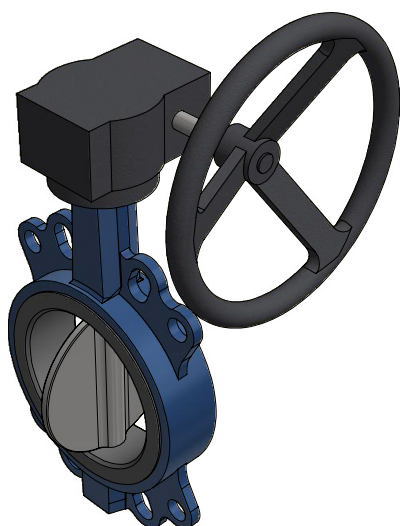




Butterfly valve

Incendium offers a complete range of butterfly valves, both manual and electrically operated. The BFV is suitable for use in foam extinguishing systems, both in water and premix lines.

The butterfly valve offers a completely secure seal thanks to the spherically treated valve disc as well as the extra volume of sealing material that the BFV has. The BFV can be easily connected to a electric actuator such as the Incendium RC for automatic or remote operation.



DIMENSIONAL DATA

Model	Length [mm]							Weight [kg]
	A	B*	C	D	E	F	G	
BFV-40 M	157	105	165	108	33	4	32	1,5
BFV-40 G	203	105	135	108	33	4	32	2,5
BFV-50 M	162	109	165	118	43	4	33	1,8
BFV-50 G	208	109	135	118	43	4	33	2,6
BFV-65 M	188	136	165	132	46	11	55	2,5
BFV-65 G	234	136	135	132	46	11	55	3,5
BFV-80 M	194	142	165	138	46	17	71	3,1
BFV-80 G	240	142	135	138	46	17	71	3,8
BFV-100 M	215	163	230	150	52	23	90	4,7
BFV-100 G	261	163	135	150	52	23	90	5,8
BFV-125 M	249	176	300	234	56	35	119	6,1
BFV-125 G	273	176	135	234	56	35	119	7,1
BFV-150 M	266	194	300	260	56	46	144	8,3
BFV-150 G	338	194	202	260	56	46	144	9,7
BFV-200 M	305	222	510	322	60	69	196	13,5
BFV-200 G	366	222	202	322	60	69	196	14,7
BFV-250 M	338	255	510	394	68	92	249	19,4
BFV-300 M	365	282	510	462	78	111	297	33

Material:

Body: Ductile Iron
 Surface treatment: Polyurethane coating
 Internals: Stainless steel
 Flange seal*: EPDM

*Nitrile optional

Product Features

- Stainless Steel on parts in contact with flow
- Easy to install
- Available in wafer type, full lug or flanged connections as standard
- Cost effective design
- Maintenance free design
- Top connection according to ISO 5211
- Sizes up to DN600 available on request
- Working temperature range -10°C to +110°C
- Working pressure PN16 or 150 lbs

*For mounting of electric actuator. Adapter needed in some cases.

Sizes up to DN600 available on request

Models G: With worm gear

Models M: With manual lever

All parts have been selected for reliable and trouble free service using corrosion resistant materials for low maintenance.