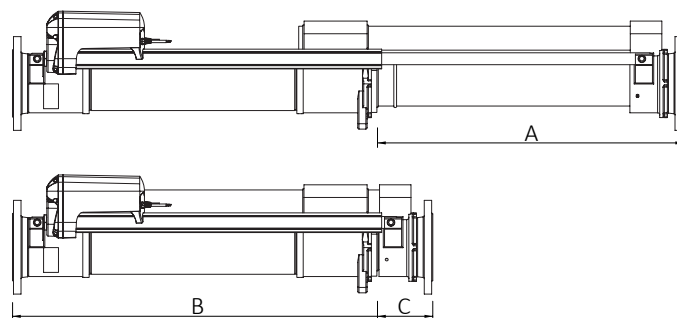
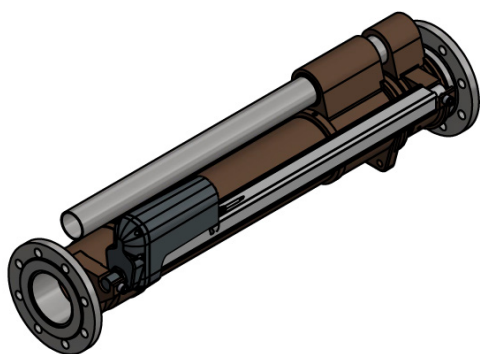


## Telescope pipe

The Incendium Telescope pipe TR-100 is intended for the use of installations with fire water monitors. The telescope pipe enables a mounted fire water monitors operating area to be maximized. While in withdrawn position the fire water monitor can be fully protected.

The telescope pipe is maneuvered via the fire water monitors control system and does not require any action taken.



### DIMENSIONAL DATA

Model	Length [mm]			Connection	Weight [kg]
	A	B	C		
TR-100	744	832	149	DN100 DIN PN16	66,5

All parts have been selected for reliable and trouble free service using corrosion resistant material for low maintenance.

### Product Features

- Corrosion resistant material, bronze and stainless steel
- Angled and vertical installation possible
- Up to 16 bar working pressure
- DN100/4" pipe size
- Flanges DIN PN16
- Power: 24V DC

### Material:

Body and internals: Bronze and Stainless steel  
 Linear actuator: Aluminum

## MOUNTING EXAMPLES

