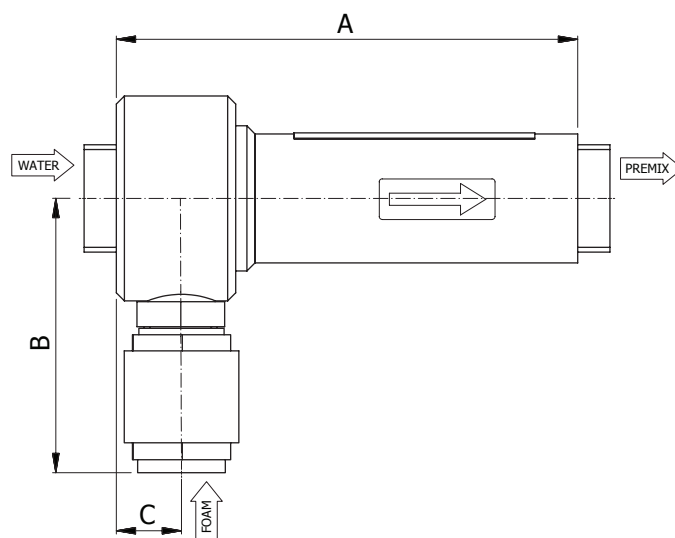




Line Inductor

The Line Inductor (LI) is a foam concentrate proportioner intended for a fixed flow in fixed installation. The LI is installed between the discharge side of the fire water pump and the foam making unit. The water flow and pressure creates a vacuum inside the inductor that induces foam concentrate into the water line.

The inductor is made to handle high counter pressure giving the possibility to operate at long distances between inductor and the foam making unit.



Material:

Body: LG2 (Bronze)
Optional flange: Stainless steel

Product Features

- Brass body
- Easy to install
- Factory calibrated flow setting
- Cost effective design
- Maintenance free design
- Suitable also for vertical installation
- Built-in suction check valve
- Suction height of foam concentrate up to 3.5 meters
- Foam induction from 1 to 6%
- Different types of connections available
- Capacity up to 1.450 l/min @ 16 bar
- Designed and tested according to EN 13565-1
- ANSI flanges optional
- Suction hose optional

DIMENSIONAL DATA

Model	Length [mm]			Connection water/foam	Weight [kg]
	A	B	C		
LI-25	143	97	20	1" BSP M / 1/2" BSP F	2,6
LI-25/40	223	97	20	DN40* PN16 / 1/2" BSP F	6,9
LI-40	218	117	43	1 1/2" BSP F / 1" BSP F	5,5
LI-40/50	295	117	81,5	DN50* PN16 / 1" BSP F	10,6
LI-40/65	320	117	94	DN65* PN16 / 1" BSP F	12,9
LI-40/80	336	117	102	DN80* PN16 / 1" BSP F	14,9

*Flanged

All parts have been selected for reliable and trouble free service using corrosion resistant materials for low maintenance.

PERFORMANCE DATA

Model	Max Water Capacity [l/min]*	Max Foam Induction [l/min]**
LI-25	400	24
LI-40	1 450	87

* At 16 bar inlet pressure

** Depending on foam concentrate type

The inductor can handle counter pressures of up to 65% of its inlet pressure.



PERFORMANCE DATA

