

## Bladder Tank - Horizontal MTB-H

### General Description

A bladder tank is a steel vessel containing a rubber bladder which in turn contains the foam concentrate. A bladder tank does not have any moving parts and requires a minimum of maintenance.

### Application Description

The bladder tank is used to induce foam concentrate into water systems with variable flows and/or pressures.

The bladder tank forms part of a foam proportioning system used in conjunction with a SKUM tank proportioner.

The system is ideal for upgrading a water sprinkler system to a foam / water sprinkler system. Constant proportioning, irrespective of flow, is achieved by a pressure balance between the foam liquid in the bladder and the water in the system flowing over the proportioner.

### Product Features

- Tank manufactured to PED (CE marked) standard
- Available in volumes up to 25,000 litres
- Can be used with standard and wide range proportioners



### Connections

- Foam / water inlet: flanged according to DIN PN16 or ANSI 150 lbs

### Optional Information - Please Specify

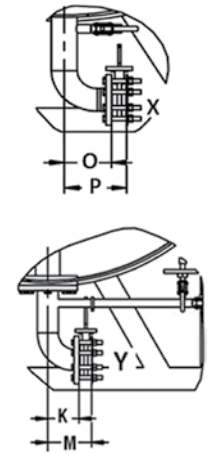
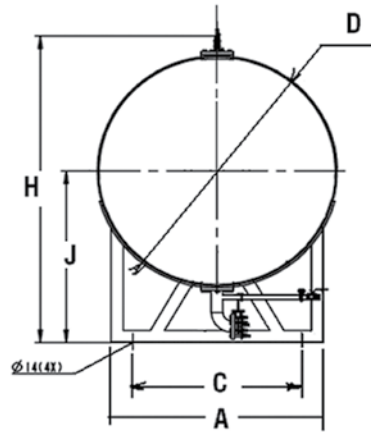
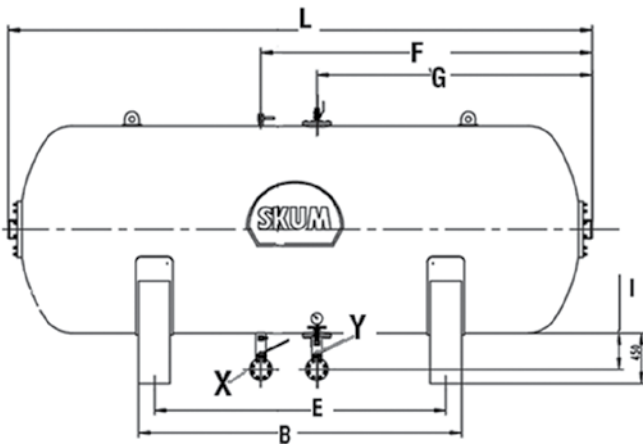
- Valve and level gauge
- Level indicator
- Fully pre-piped version complete with proportioners

### Order Information - Please Specify

1. Part number
2. Tank type
3. Tank size

### Specifications

|   |   |
|---|---|
| Design Pressure                             | 12.1 bar / 175 psi  |
| Design Standard                             | PED (CE marked)   |
| Material: Pressure Vessel                   | Carbon steel  |
| Material: Bladder                           | Butyl rubber  |
| Material: Internals                         | Stainless steel   |
| Surface Treatment:                          | Outside - primer and red epoxy                                  |
| Scope of supply:                            | Water / foam inlet and vent plugged                             |
|   | Stainless steel valves at foam filling connection and vent      |
|   | Butterfly valves 2" or 3" (Wafer types) on Foam and Water Ports |
| Scope of supply: Water drain valve          | 1" Connection BSP female  |
| Scope of supply: Water / Air vent valve     | 1" Connection BSP female  |
| Scope of supply: Foam / Air vent valve      | 1" Connection BSP female  |
| Scope of supply: Foam filling / drain valve | 1" Connection BSP female  |



For dimensions please see table below

## Specifications

| MTB-H reference | Model (Ltr) | Dimensions (mm) |      |      |      |      |      |      |      |     |      |     |      |     |     |     | Connection |          | Weight (Kg) |
|-----------------|-------------|-----------------|------|------|------|------|------|------|------|-----|------|-----|------|-----|-----|-----|------------|----------|-------------|
|                 |             | A               | B    | C    | D    | E    | F    | G    | H    | I   | J    | K   | L    | M   | O   | P   | Water (X)  | Foam (Y) |             |
| 127908113       | 400         | 710             | 410  | 500  | 800  | 330  | 726  | 488  | 1343 | 323 | 850  | 91  | 1054 | 141 | 119 | 169 | 2"         | 2"       | 280         |
| 127908210       | 600         | 710             | 730  | 500  | 800  | 650  | 863  | 563  | 1343 | 323 | 850  | 91  | 1554 | 141 | 119 | 169 | 2"         | 2"       | 340         |
| 127911113       | 800         | 710             | 1000 | 500  | 800  | 880  | 988  | 688  | 1343 | 323 | 850  | 91  | 1904 | 141 | 119 | 169 | 2"         | 2"       | 400         |
| 127911212       | 1000        | 960             | 610  | 700  | 1100 | 450  | 910  | 565  | 1643 | 323 | 1000 | 91  | 1416 | 141 | 119 | 169 | 2"         | 2"       | 480         |
| 127911310       | 1200        | 960             | 710  | 700  | 1100 | 590  | 915  | 615  | 1643 | 323 | 1000 | 91  | 1616 | 141 | 119 | 169 | 2"         | 2"       | 510         |
| 127911409       | 1500        | 960             | 940  | 700  | 1100 | 780  | 1015 | 715  | 1643 | 323 | 1000 | 91  | 1916 | 141 | 119 | 169 | 2"         | 2"       | 590         |
| 127911508       | 2000        | 960             | 1230 | 700  | 1100 | 1070 | 1215 | 915  | 1643 | 323 | 1000 | 91  | 2416 | 141 | 119 | 169 | 2"         | 2"       | 700         |
| 127914111       | 2500        | 1240            | 910  | 1000 | 1400 | 750  | 1166 | 766  | 2008 | 324 | 1150 | 133 | 2022 | 186 | 162 | 215 | 3"         | 3"       | 960         |
| 127914214       | 3000        | 1240            | 1240 | 1000 | 1400 | 1080 | 1391 | 891  | 2008 | 324 | 1150 | 133 | 2372 | 186 | 162 | 215 | 3"         | 3"       | 1140        |
| 127914312       | 3500        | 1240            | 1330 | 1000 | 1400 | 1170 | 1491 | 991  | 2008 | 324 | 1150 | 133 | 2672 | 186 | 162 | 215 | 3"         | 3"       | 1250        |
| 127914408       | 4000        | 1240            | 1590 | 1000 | 1400 | 1430 | 1641 | 1141 | 2008 | 324 | 1150 | 133 | 3072 | 186 | 162 | 215 | 3"         | 3"       | 1350        |
| 127914509       | 4500        | 1240            | 1850 | 1000 | 1400 | 1630 | 1741 | 1241 | 2008 | 324 | 1150 | 133 | 3372 | 186 | 162 | 215 | 3"         | 3"       | 1550        |

| MTB-H reference | Model (Ltr) | Dimensions (mm) |      |      |      |      |      |      |      |     |      |     |      |     |     |     | Connection |          | Weight (Kg) |
|-----------------|-------------|-----------------|------|------|------|------|------|------|------|-----|------|-----|------|-----|-----|-----|------------|----------|-------------|
|                 |             | A               | B    | C    | D    | E    | F    | G    | H    | I   | J    | K   | L    | M   | O   | P   | Water (X)  | Foam (Y) |             |
| 127914613       | 5000        | 1240            | 2040 | 1000 | 1400 | 1820 | 1841 | 1341 | 2008 | 324 | 1150 | 133 | 3672 | 186 | 162 | 215 | 3"         | 3"       | 1620        |
| 127914710       | 5500        | 1240            | 2300 | 1000 | 1400 | 2080 | 1991 | 1491 | 2008 | 324 | 1150 | 133 | 4072 | 186 | 162 | 215 | 3"         | 3"       | 1730        |
| 127914814       | 6000        | 1240            | 2490 | 1000 | 1400 | 2270 | 2734 | 2234 | 2008 | 324 | 1150 | 133 | 4468 | 186 | 162 | 215 | 3"         | 3"       | 1850        |
| 127914911       | 6500        | 1240            | 2820 | 1000 | 1400 | 2600 | 2834 | 2334 | 2008 | 324 | 1150 | 133 | 4968 | 186 | 162 | 215 | 3"         | 3"       | 2000        |
| 127918113       | 7000        | 1640            | 1670 | 1300 | 1850 | 1450 | 2104 | 1604 | 2458 | 324 | 1375 | 133 | 3208 | 186 | 162 | 215 | 3"         | 3"       | 2300        |
| 127918210       | 7500        | 1640            | 1650 | 1300 | 1850 | 1430 | 2204 | 1704 | 2458 | 324 | 1375 | 133 | 3408 | 186 | 162 | 215 | 3"         | 3"       | 2400        |
| 127918308       | 8000        | 1640            | 1780 | 1300 | 1850 | 1560 | 2304 | 1804 | 2458 | 324 | 1375 | 133 | 3008 | 186 | 162 | 215 | 3"         | 3"       | 2480        |
| 127918409       | 8500        | 1640            | 1870 | 1300 | 1850 | 1650 | 2379 | 1879 | 2458 | 324 | 1375 | 133 | 3758 | 186 | 162 | 215 | 3"         | 3"       | 2550        |
| 127918511       | 9000        | 1640            | 2010 | 1300 | 1850 | 1790 | 2479 | 1979 | 2458 | 324 | 1375 | 133 | 3958 | 186 | 162 | 215 | 3"         | 3"       | 2650        |
| 127918613       | 9500        | 1640            | 2200 | 1300 | 1850 | 1920 | 2579 | 2079 | 2458 | 324 | 1375 | 133 | 4158 | 186 | 162 | 215 | 3"         | 3"       | 2900        |

| MTB-H reference | Model (Ltr) | Dimensions (mm)             |      |      |      |      |      |      |      |     |      |     |      |     |     |     | Connection |          | Weight (Kg) |
|-----------------|-------------|-----------------------------|------|------|------|------|------|------|------|-----|------|-----|------|-----|-----|-----|------------|----------|-------------|
|                 |             | A                           | B    | C    | D    | E    | F    | G    | H    | I   | J    | K   | L    | M   | O   | P   | Water (X)  | Foam (Y) |             |
| 127918712       | 10000       | 1640                        | 2330 | 1300 | 1850 | 2050 | 2679 | 2179 | 2458 | 324 | 1375 | 133 | 4358 | 186 | 162 | 215 | 3"         | 3"       | 3000        |
| 127918811       | 11000       | 1640                        | 2550 | 1300 | 1850 | 2270 | 2854 | 2354 | 2458 | 324 | 1375 | 133 | 4708 | 186 | 162 | 215 | 3"         | 3"       | 3150        |
| 127918908       | 12000       | 1640                        | 2880 | 1300 | 1850 | 2600 | 2954 | 2454 | 2458 | 324 | 1375 | 133 | 5208 | 186 | 162 | 215 | 3"         | 3"       | 3400        |
| 127919077       | 15000       | <b>Available on request</b> |      |      |      |      |      |      |      |     |      |     |      |     |     |     | 3"         | 3"       |             |
| 127919080       | 17000       |                             |      |      |      |      |      |      |      |     |      |     |      |     |     |     | 3"         | 3"       |             |
| 127919083       | 20000       |                             |      |      |      |      |      |      |      |     |      |     |      |     |     |     | 3"         | 3"       |             |
| 127919086       | 25000       |                             |      |      |      |      |      |      |      |     |      |     |      |     |     |     | 3"         | 3"       |             |