

## Low Expansion Foam / Branchpipe MLR

### General Description

Portable low expansion hand held foam applicator.

### Application Description

For coverage of flammable liquid spills or fighting small fires.

### Product Features

- Stainless steel body and brass nozzle
- Low weight
- Easy to use
- Large area coverage
- Suitable for indoor and outdoor use
- Capacity up to 555 l/min
- Foam induction capacity up to 6% (MLR-40 SA)
- Including pick-up tube (MLR-40 SA)

### Listings and Approvals

- Bureau Veritas (BV)
- R.I.N.A.
- Russian Maritime Register of Shipping (RMRS)
- Det Norske Veritas DNV
- Tanusitvany (Hungary)

### Connections

- 1½" female screw-threaded BSP

### Optional Components

- Hose coupling to international standards



### Order Information- Please Specify

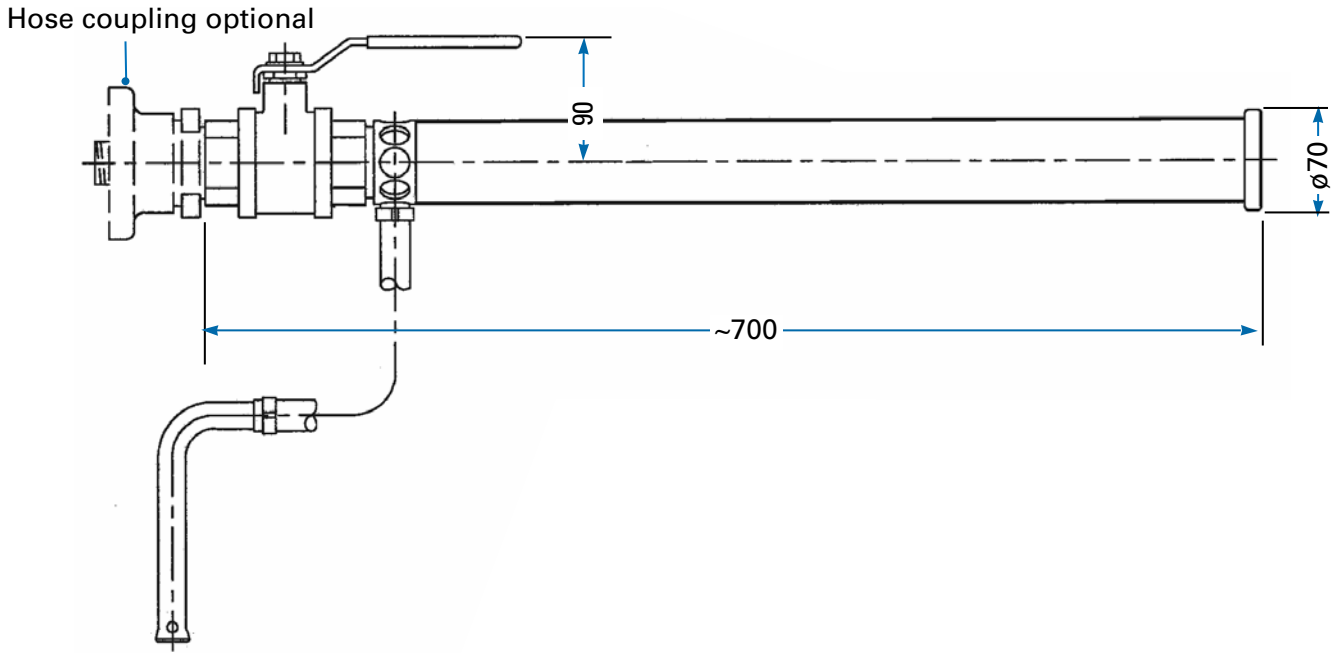
1. Part number
2. Size

### Technical Data

MLR-40 A and SA

Foam concentrate induction max 6% (MLR-40 SA)

■ Material	Pipe	Stainless Steel
	Casing	Brass Nozzel
	Valve	Nickel-Plated Brass
■ Connection	1½" BSP female thread	
■ Weight	MLR-40 A	3.2 kg / 7 lbs
	MLR-40 SA	4 kg / 9 lbs



## Performance Data

MLR-40 A and SA

Foam expansion ratio: up to 1:15

Part No.	Type	Water capacity (l/min)	Inlet pressure (bar)	Foam mixing (%)	Reaction force (N)	Approx. range of jet (mtr)
■ 101304116	MLR-40 A	200	5		104	22
■ 101304214	MLR-40 A	215	3		87	21
■ 101304242	MLR-40 A	215	6		123	24
■ 101304412	MLR-40 A	400	3		161	24
■ 101304426	MLR-40 A	400	5		208	26
■ 101304440	MLR-40 A	400	6		228	28
■ 101404119	MLR-40 SA	200	5	3	104	22
■ 101404140	MLR-40 SA	200	5	6	104	23
■ 101404221	MLR-40 SA	215	3	3	87	21
■ 101404263	MLR-40 SA	215	3	6	87	21
■ 101404242	MLR-40 SA	215	6	3	123	24
■ 101404277	MLR-40 SA	215	6	6	123	24
■ 101404423	MLR-40 SA	400	5	3	208	26
■ 101404444	MLR-40 SA	400	5	6	208	26
■ 101404465	MLR-40 SA	400	6	3	208	28
■ 101404479	MLR-40 SA	400	6	6	208	28

Other capacities available on request

1 bar = 0.1 MPa = 14.5 psi