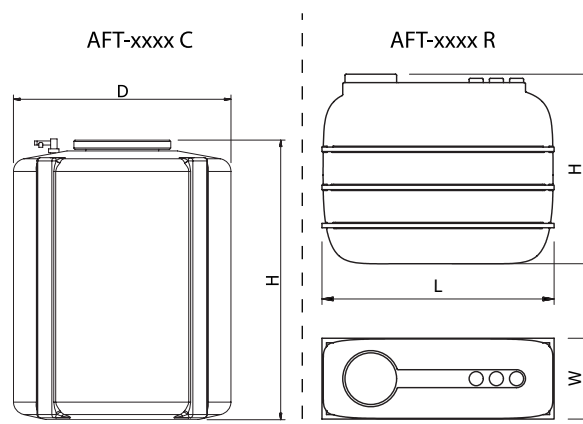




### Atmospheric Foam Concentrate Tank

The Atmospheric Foam concentrate Tanks (AFT) have exceptionally good chemical and corrosive resistance. The AFT comes in several different sizes ranging from 60 to 15000 liters with the option of white semi-clear or black. Tanks from 60-1500L comes with level indication on the tank itself (does not apply for black material tanks). Tanks from 1800-15000L are built more robust and therefore needs a separate level indicator.

We provide a large amount of connection options for these tanks; for example threaded or flanged connection. All connections are robust and designed according to industrial applications.



AFT-XXXX C

AFT-XXXX R



#### Material:

Tank: Polyethylene

#### TECHNICAL DATA

Volume indication:	Included on tanks 60-1500 L
Temperature range:	-30° C to +70° C
Lid type 60-1500:	Threaded plastic lid with o-ring seal
Lid type 1800-15000:	Clamped lid with o-ring seal
Tested according to:	Normpack

#### DIMENSIONAL DATA

Model	Volume [L]	DØ [mm]	H [mm]	L [mm]	W [mm]
AFT-60 C	60	450	500	-	-
AFT-100 C	100	450	750	-	-
AFT-100 CW	100	520	650	-	-
AFT-150 C	150	520	920	-	-
AFT-150 CW	150	640	1200	-	-
AFT-200 C	200	520	1190	-	-
AFT-300 C	300	650	1135	-	-
AFT-500 C	500	750	1385	-	-
AFT-1000 C	1000	1050	1380	-	-
AFT-1100 R	1100	-	1400	1400	720
AFT-1500 C	1500	1050	1980	-	-
AFT-1500 R	1500	-	1640	1560	720
AFT-1800 C	1800	1355	1600	-	-
AFT-2000 R	2000	-	1690	2070	720
AFT-2200 C	2200	1340	1854	-	-
AFT-2500 R	2500	-	1650	1870	995
AFT-3000 C	3000	1410	2230	-	-
AFT-3000 R	3000	-	1650	2230	995
AFT-4000 R	4000	-	1950	2430	995
AFT-5000 C	5000	1800	2290	-	-
AFT-7500 C	7500	2140	2340	-	-
AFT-10000 C	10000	2150	3180	-	-
AFT-15000 C	15000	2140	4700	-	-

#### Product Features

- Optional color black
- Optional low level sensor
- Vacuum/vent valve included