

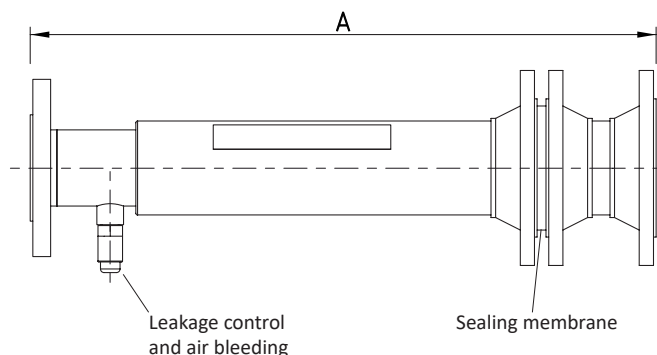
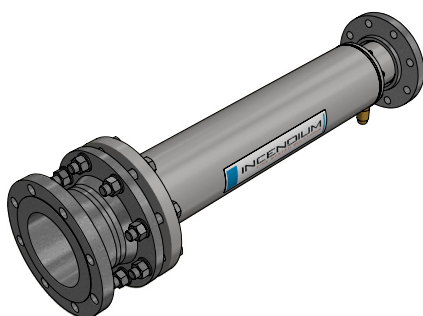


Base Injection Device

The Base Injection device for Semi-Subsurface application (BISS) is used to supply expanded foam from its location at the base on a storage tank up to the liquid surface via a flexible hose.

The BISS is installed outside the tank wall and consists of a sealing membrane (that separates the stored fluid from the unit) and a flexible hose stored inside the unit. When the system is operated the BISS will be pressurized and the flexible hose is injected into the tank through the sealing membrane. The expanded foam will freely float to the surface through the now unfolded flexible hose. The foam is expanded through a High Back Pressure Foam Generator (TSR)

To be used in storage tanks containing water-soluble flammable liquids or when fuel pick-up in the foam not is acceptable.



DIMENSIONAL DATA			
Model	Length A [mm]	Straight part after BISS [mm]	Connection Inlet/Outlet
BISS-80 DIN	805	490 ± 15	DN80 PN10/16 DN100 PN10/16
BISS-80 ANSI	805	490 ± 15	3" ANSI 150 lbs 4" ANSI 150 lbs
BISS-100 DIN	960	510 ± 15	DN100 PN10/16 DN150 PN10/16
BISS-100 ANSI	960	510 ± 15	4" ANSI 150 lbs 6" ANSI 150 lbs
BISS-150 DIN	1110	530 ± 15	DN150 PN10/16 DN200 PN10/16
BISS-150 ANSI	1110	530 ± 15	6" ANSI 150 lbs 8" ANSI 150 lbs

Material:

Hose container:	Stainless steel (316/316L)
Hose:	Polyamide
Foam sealing membrane:	Stainless steel/PTFE
Spool piece:	Galvanized steel*
Flanges:	Galvanized steel*

* Stainless steel optional

Product Features

- Stainless Steel body
- Built-in foam sealing membrane
- Built in leak control and air bleeding valve
- Hose made of Polyamide
- Suitable for most flammable liquids such as crude oil or polar solvents
- Capacity up to 2,500 lpm
- Available for tank heights up to 29 meters
- Connections available in DIN or ANSI standard

All parts have been selected for reliable and trouble free service using corrosion resistant material for low maintenance.

PERFORMANCE DATA				
Model	Max. Flow Capacity [l/min]	Min. opening pressure [bar]	Max Tank Height [m]	Weight [kg]
BISS-80 DIN/ANSI	750	0,4	13	28
BISS-100 DIN/ANSI	1400	0,2	20	47
BISS-150 DIN/ANSI	2500	0,2	29	70

Maximum back pressure: 6 bar

Maximum working pressure: 6 bar