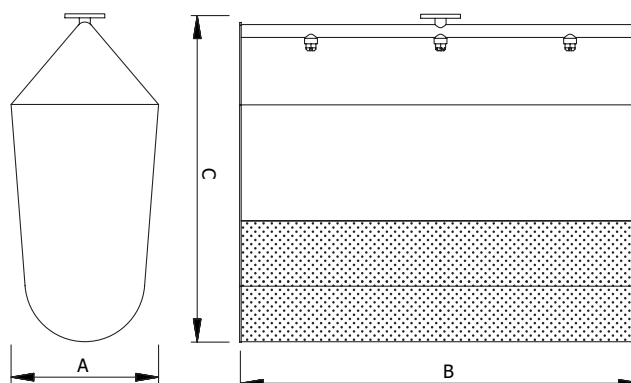
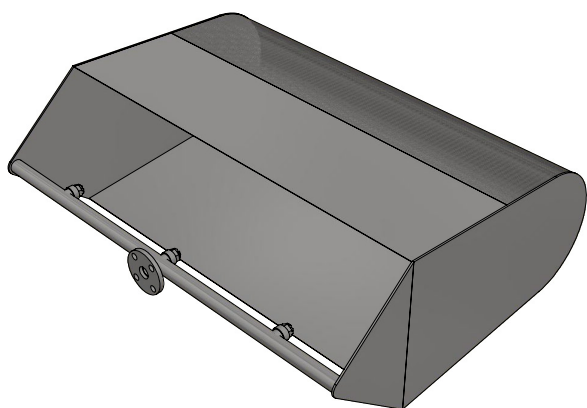




High Expansion Foam Generator

The High Expansion Foam Generator (UFG) is a generator intended for fixed installation generally used within Inside Air Systems.

The Inside Air System uses High Expansion foam consisting of a synthetic foam concentrate, water and air, which is highly effective for protection of enclosed spaces such as warehouses, flammable liquid storages, aircraft hangars, tunnels and pump rooms.



DIMENSIONAL DATA

Model	Length [mm]			Weight [kg]
	A	B	C	
UFG-30	380	396	825	11
UFG-60	380	736	825	13,4
UFG-90	380	1036	825	15,2

All parts have been selected for reliable and trouble free service using corrosion resistant materials for low maintenance.

The generators can be used with most types of foam systems like foam pumps, bladder tanks or in-line proportioners.

The UFG normally operates around 6 bar inlet pressure and produces a uniform slow draining foam with a nominal expansion ratio of more than 700:1.

Material:

Body and internals:	Stainless steel (316/316L)
Nozzle:	Stainless steel (316/316L)
Flange:	Stainless steel (316/316L)

Product Features

- Stainless Steel body
- Easy to install
- Maintenance free design
- Suitable also for vertical installation
- DN20 DIN2543 PN16 connection
- Foam concentrate used at 2% mixing rate

PERFORMANCE DATA

Model	Inlet Pressure [bar]	Water Capacity [l/min]	Foam Capacity [m ³ /min]	Foam Expansion ratio
UFG-30	6	31	15,6	500:1
UFG-60	6	62	42	670:1
UFG-90	6	90	63	720:1

Foam concentrate

The Inside Air System is best combined with the Inside Air Foam concentrate (IAF). The components of the IAF are readily biodegradable and have no hazardous decomposition products. With a non-toxic foam concentrate, human life is not endangered when released. Therefore, the system effectively and safely protects both equipment and personnel.