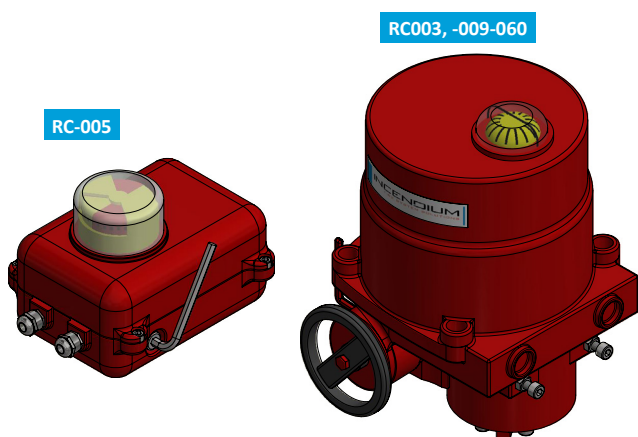
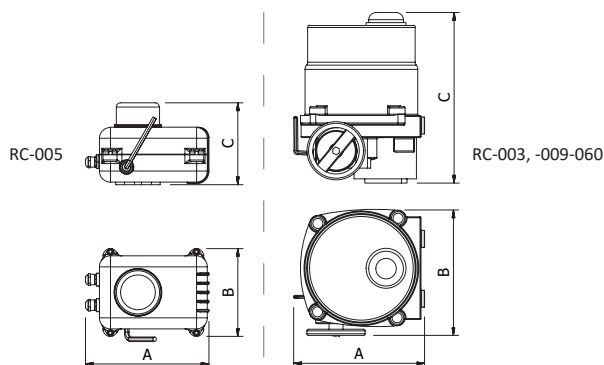




Remote Controlled Electric Actuator

The Remote Controlled electric actuator (RC) is a actuator for on/off operation of a butterfly or ball valve such as the BFV or BAV. This actuator comes in several sizes and offers a standard operation of 0-90° turn.

The RC is limited to this range through the use of limit switches or mechanical switches. The motor is protected against overload by thermal lining in the casing. Heating radiators keep condensation from building up in the actuator.



Material:

Housing:	Anodized Aluminum
Coating:	Primer and red epoxy
Piston:	Aluminum Bronze

Product Features

- Manual override with automatic disconnection
- 2 limit switches
- 2 potential free mechanical switches for communication and control systems
- Robust construction
- IP67 with option for Ex d II T4 as well as IP68
- Easily read indication for open/closed
- Permanent greased gear
- Torque and thermostat overload
- Temperature range -30°C to +70°C

OPTIONS

Explosion proofing	EEx d IIB IP67 Ambient temperature: -20°C to +55°C
Protection form	IP68
PIU	Potential current measurement: 1k Ohm
CPT	Limit switches signal out 4-20mA DC
Power supply	24VDC, 110VAC, 400VAC

DIMENSIONAL DATA

Model	Fits Valve Models		Length [mm]			Weight [kg]
	Butterfly	Ball	A	B	C	
RC-003	BFV-50-65	BAV-20-32	113	117	132	1,5
RC-005	BFV-80-100	BAV-40-50	168	132	148	2,8
RC-009	BFV-125		181	231	273	11
RC-015	BFV-150	BAV-65	224	261	273	12,5
RC-019	BFV-200	BAV-80	224	261	273	13
RC-028		BAV-100	258	285	320	17,5
RC-038	BFV-250		258	285	320	18
RC-050	BFV-300		307	325	361	22,5

All parts have been selected for reliable and trouble free service using corrosion resistant materials for low maintenance.

PERFORMANCE DATA

Model	Electrical Power [W]			
	@ 24 V	@110 VAC	@ 230VAC	@ 400VAC
RC-003	24 @ DC, 19 @ AC	22	25	N/A
RC-005	43 @ DC, 43 @ AC	38,5	53	N/A
RC-009	84 @ DC	118	113	68
RC-015	108 @ DC	160	164	120
RC-019	108 @ DC	176	207	136
RC-028	N/A	176	207	136
RC-038	N/A	215	290	148
RC-060	N/A	341	345	228

Standard make

Start phase	50% ED
Protection class	IP67 Nema 4 and 6
Power supply	230 VAC
Temperature range	-30°C to +70°C
Heating radiator	20W
Cable inlet	2 pcs M20x1,5
Limit switches	Open / Close position 2+2 pcs
Torque switches	Open / Close position (RC 015-060)