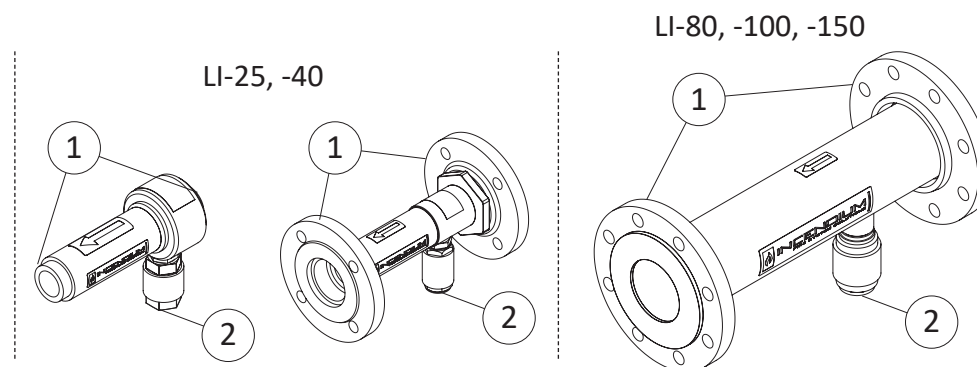


Instruction:

- Mount according to working principle show on the left with arrow on LI unit indicating flow direction pointing downstream from pump (if present).
- LI Unit should be installed with a minimum straight pipe length of approximately 5 pipe diameters before unit and 3 pipe diameter after. This ensures correct foam mixing ratio.

MINIMUM INSTALLATION MEASUREMENTS

MODEL	LI-25	LI-40	LI-80	LI-100	LI-150
A Min. straight length before LI Unit (~5 x Pipe Ø)	170mm	250mm	450mm	570mm	840mm
B Min. straight length after LI Unit (~3 x Pipe Ø)	100mm	150mm	270mm	350mm	500mm



CONNECTION DATA, STANDARD

POS	LI-25	LI-25/40 *	LI-40	LI-40/50 *	LI-40/65 *	LI-40/80 *	LI-80 *	LI-100 *	LI-150 *
1 (Water Inlet/Outlet)	1" BSP Male	DN40 or 1½"	1½" BSP Male	DN50 or 2"	DN65 or 2½"	DN80 or 3"	DN80 or 3"	DN100 or 4"	DN150 or 6"
2 (Foam Inlet)	½" BSP Female	½" BSP Female	1" BSP Female	1" BSP Female	1" BSP Female	1" BSP Female	1" BSP Female	1¼" BSP Female	1½" BSP Female

*Flanged DIN PN16 or ANSI 150 lbs