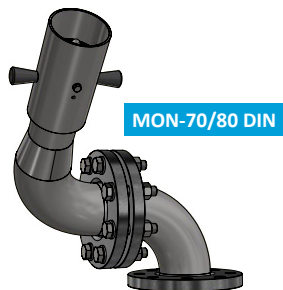




## Manually operated fixed nozzle

The manually operated fixed nozzle MON is used in installations where a given area needs to be protected. The MON can be maneuvered between fog and jet. In addition the nozzle can be rotated 360° in both vertical and horizontal alignment giving the customer the option for precise extinguishing operation.



### Application

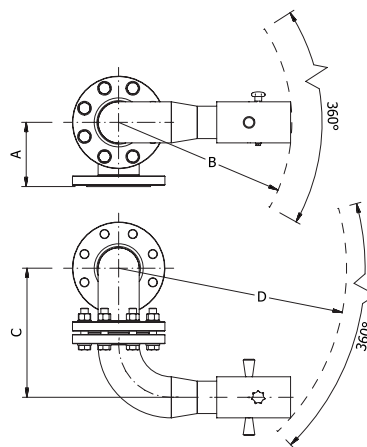
The MON can be used in a large range of applications including Jetties, Refinery installations, Aircraft hangars, etc.

### Material:

Body: Stainless Steel (316/316L)  
Nozzle: Stainless Steel (316/316L)

### Product Features

- Stainless steel body and nozzle
- Fog/Jet adjustable
- Rotation/Elevation: 360°
- Standard spray angle 90°
- Optional spray angle 170°
- Working pressure 4 to 16 bar
- Optional self-inducting nozzles available at 1% and 3%
- Designed according to EN 13565-1



### DIMENSIONAL DATA

Model	A* [mm]	B* [mm]	C* [mm]	D* [mm]	Connection DIN / ANSI	Weight* [kg]
MON-30	125	320	195	385	DN50 PN 16 / 2" 150 lbs	12
MON-70	140	390	280	505	DN80 PN 16 / 3" 150 lbs	18
MON-110	180	400	360	565	DN100 PN 16 / 4" 150 lbs	25
MON-140	255	590	510	840	DN150 PN 16 / 6" 150 lbs	45

\*Approximate measurements. Contact Incendium for monitor specific drawing.

All parts have been selected for reliable and trouble free service using corrosion resistant materials for low maintenance.

### PERFORMANCE DATA

Model	Flow rate* [lpm]	Pressure [bar]
MON-30	Up to 1000	4-16
MON-70	Up to 2600	4-16
MON-110	Up to 6000	4-16
MON-140	Up to 10000	4-16

\*Depending on available pressure.

### RANGE OF JET IN METERS MON\*

