

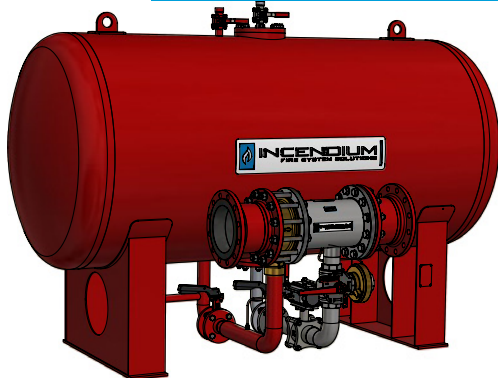


IBT with Pre-piped Proportioner

Our bladder tanks IBT-V and IBT-H can be fitted with a pre-piped ITP, ITPW or VIP-TO. This allows for a very simple foam proportioning installation.

The pre-piped tank is available in many different sizes flanged DIN or ANSI. The proportioners can either be fitted in Right (left-to-right) or Left (right-to-left) main pipe flow direction upon the customers request.

IBT-H 2000 with VIP-TO-200 IAFV Right



IBT-V 3000 with VIP-TO-200 IAFV Left



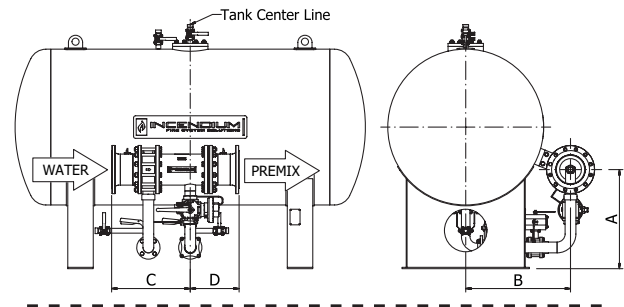
IBT-V 3000 with ITP-150 IAFV Right



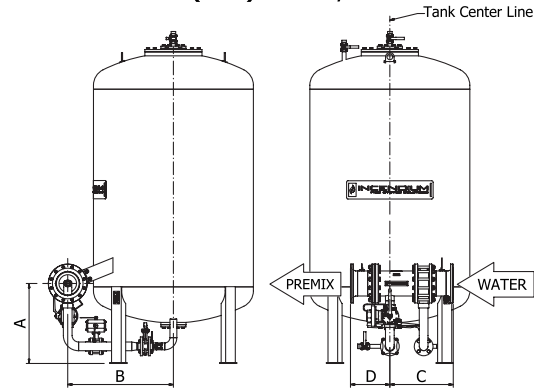
Product Features

- Fully mechanical operation without the need for electricity
- Suitable for fluorine free foams, especially high viscosity/ non-Newtonian properties
- Accurate mixing over the entire flow range
- Customer specific, fixed proportioning ratio
- Low pressure drop
- Customer specific bladder tank water, foam and test outlet connections available
- Incendium Automatic Foam Valve (IAFV) available as option
- Designed and tested according to EN 13565-1

RIGHT (flow) version, IBT-H



LEFT (flow) version, IBT-V



DIMENSIONAL DATA Tank

Tank Model	Length [mm]		Standard Pre-pipe sizes		
	A	B	ITP	ITPW	VIP
IBT 100-300	450	410	50	N/A	N/A
IBT 400	570	585	50-150	N/A	N/A
IBT 600-800	700	585	50-150	N/A	N/A
IBT 1000-2000	700	740	100-150	150-200	150-200
IBT 2500-5000	700	925	100-200	150-200	150-200
IBT 5500-6500	900	955	100-200	200-250	200-250
IBT 7000-15000	900	1160	150-250	200-250	200-250
IBT 17000-Upwards	Upon request				

DIMENSIONAL DATA Pre piping

Proportioner Model	Length [mm] from tank center		Flange connection Inlet and Outlet [DIN / ANSI]
	C (inlet side)	D (outlet side)	
ITP-50	225	225	DN 50 / 2"
ITP-80	250	250	DN 80 / 3"
ITP-100	325	250	DN100 / 4"
ITP-150	350	270	DN150 / 6"
ITP-200	380	310	DN200 / 8"
ITP-250	395	285	DN250 / 10"
ITPW-150	350	270	DN150 / 6"
ITPW-200	380	310	DN200 / 8"
ITPW-250	395	285	DN250 / 10"
VIP-TO-150	440	320	DN150 / 6"
VIP-TO-200	555	345	DN200 / 8"
VIP-TO-250	640	380	DN250 / 10"