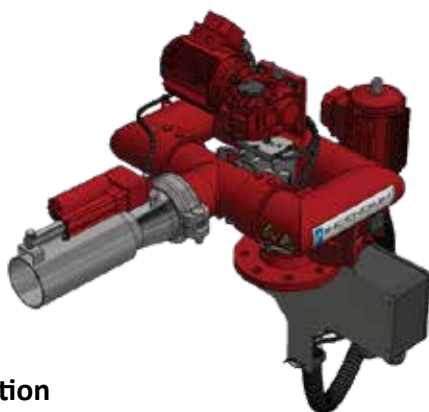




Remote Controlled Fire Water Monitor

The RCM is an efficient, compact and reliable remote controlled fire water monitor with excellent flow characteristics. The RCM is designed to be able to handle any situation with its modular design and as such, it can always be well adjusted to the customers needs. The monitor can be fitted with a remote controlled adjustable fog/jet nozzle (EON) or aspirating foam branchpipe (AFN).



Application

The RCM is versatile and can be used in a large range of applications including Jetties, Refinery installations, Aircraft hangars, etc.

Material:

Body: Stainless Steel (316/316L)

Nozzle: Stainless Steel (316/316L)

Motor/Gear: Aluminium*

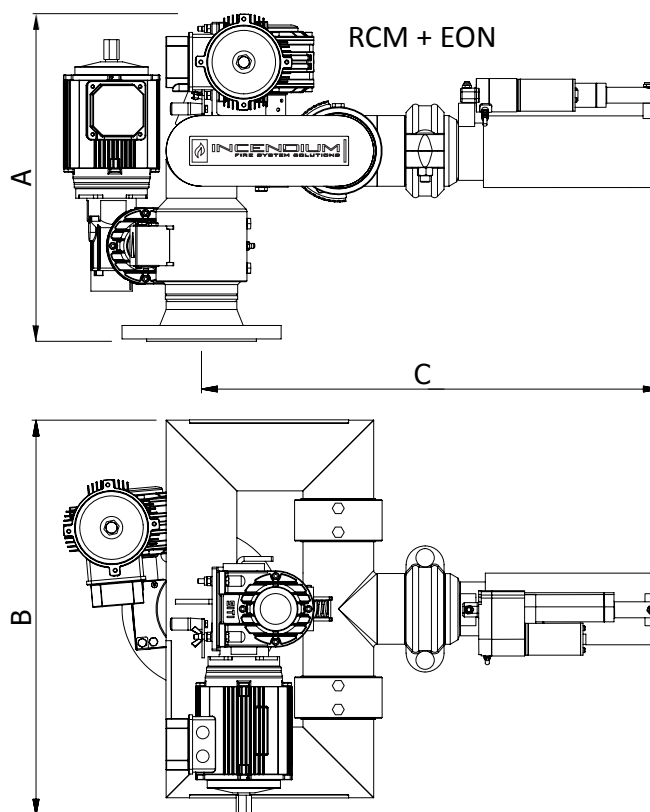
Actuator Nozzle: Aluminium**

*(Optional: Stainless Steel 316L or Cast Iron)

** (Optional: SAFE Stainless steel 316L or ATEX Aluminium)

Product Features

- Stainless steel body and nozzle
- Adjustable nozzles EON or AFN
- Rotation: 345°(optional 360°+ with software stop)
- Elevation: -90° to +70°
- Working pressure 4 to 16 bar
- Capacity up to 16000 lpm
- Power supply: 230VAC-690VAC, 24VDC, IP56-IP68
- Limit switching or positioning for all environments, including ATEX.
- Available with stainless steel or cast iron motor/gear as option.
- Available with electrical equipment for hazardous ATEX environments up to and including Zone 1
- Finish: Primer and red epoxy coat
- Foam concentrate induction (optional)
- Designed according to EN 13565-1
- DNV Approval available for RCM-80



DIMENSIONAL DATA

Model	A* [mm]	B* [mm]	C* [mm]	Connection water	Weight [kg]
RCM-80 DIN	420	490	660	DN80 PN16	48
RCM-80 ANSI	440	490	660	3" ANSI 150 lbs	48
RCM-100 DIN	450	570	760	DN100 PN16	70
RCM-100 ANSI	470	570	760	4" ANSI 150 lbs	71
RCM-150 DIN	500	750	860	DN150 PN16	89
RCM-150 ANSI	540	750	860	6" ANSI 150 lbs	90

*Approximate measurements. Differs with nozzle and motor configuration. Contact Incendium for monitor specific drawing.

All parts have been selected for reliable and trouble free service using corrosion resistant materials for low maintenance.

PERFORMANCE DATA

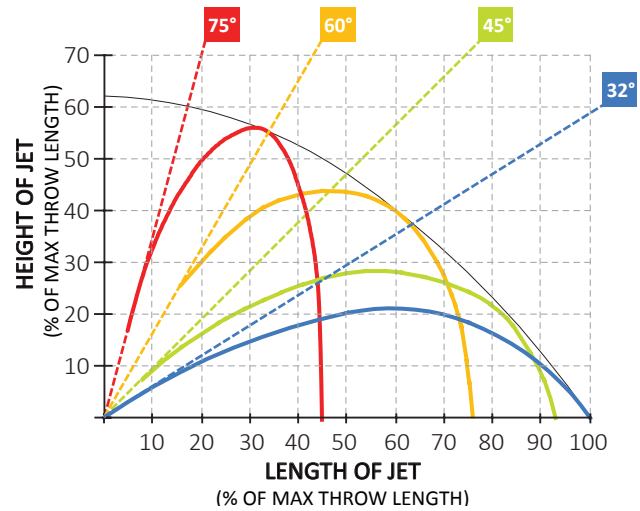
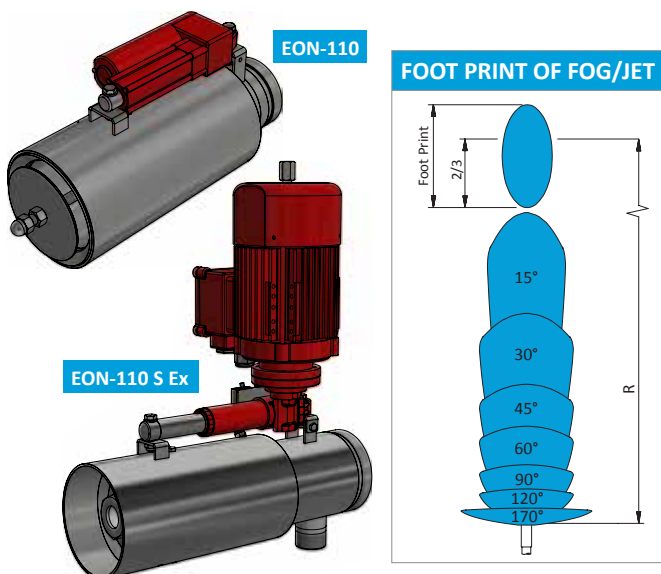
Model	Flow rate* [lpm]	Pressure [bar]
RCM-80	800-6000	4-16
RCM-100	2000-10000	4-16
RCM-150	3000-16000	4-16

*Recommended range. Dependent of available pressure.



EON

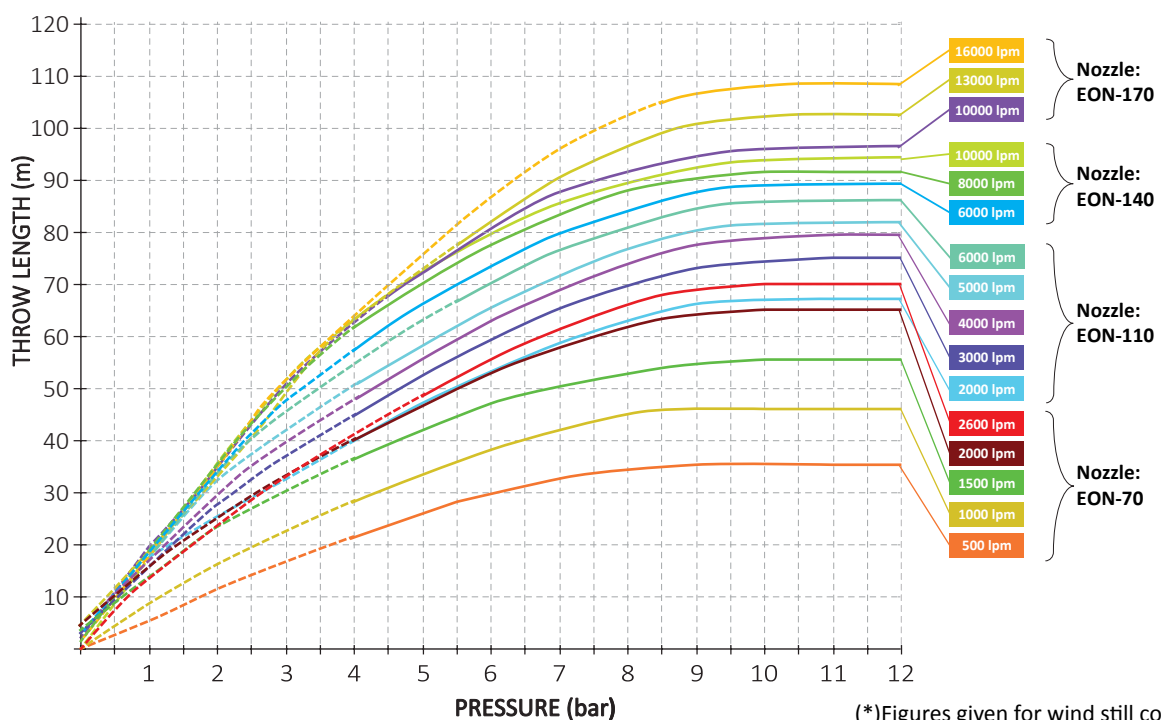
The EON is the standard nozzle for the RCM and comes in 4 different sizes which are chosen based on the flow and pressure available. The EON can be adjusted seamlessly from fog to jet and comes equipped with an actuator. The standard actuator is in aluminium with potentiometer feedback of nozzle position. Optional actuators are available in stainless steel 316L or ATEX class. The EON-110 and EON-140 can also be equipped with self induction.



PERFORMANCE DATA EON			
Model	Water flow rate max* [lpm]	Foam induction flow span* [lpm]	Max spray angle
RCM-80 EON-70	3500	NA	90° (Optional 170°)
RCM-80 EON-110	6000	20-240	90° (Optional 170°)
RCM-100 EON-110	8000	20-320	90° (Optional 170°)
RCM-100 EON-140	10000	50-480	90° (Optional 170°)
RCM-150 EON-140	10000	50-600	90° (Optional 170°)
RCM-150 EON-170	16000	NA	90° (Optional 170°)

*Depending on available pressure. Figures given at 15 bar.

RANGE OF JET IN METERS EON*

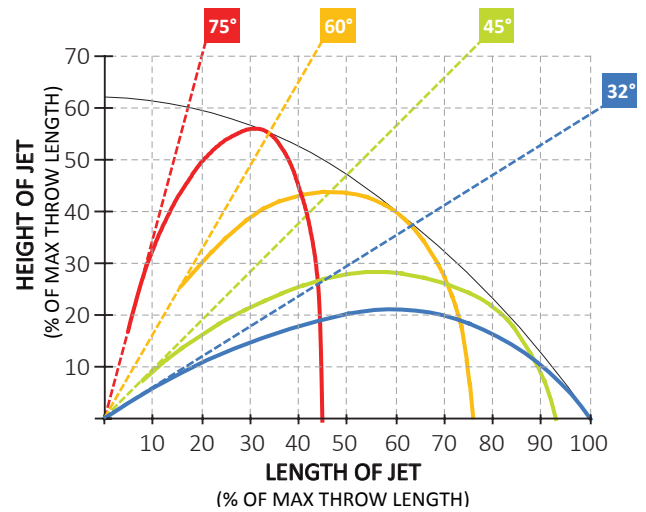
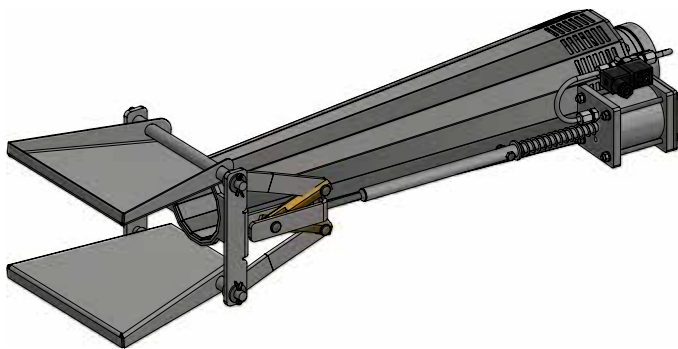


(*): Figures given for wind still conditions.



AFN

The AFN is an aspirating foam nozzle used for applications where the quality of the foam is highly important. It is most often used in systems which apply fluoro free foam. The AFN can be equipped with a deflector package (DEF) which allows for adjustment between full and spread jet application. The AFN DEF can be fitted with the same actuators as the EON allowing for a precise setting of the full/spread jet in both SAFE and ATEX area. As an option, an ATEX solenoid water powered actuator that provides a two-step setting can be mounted.

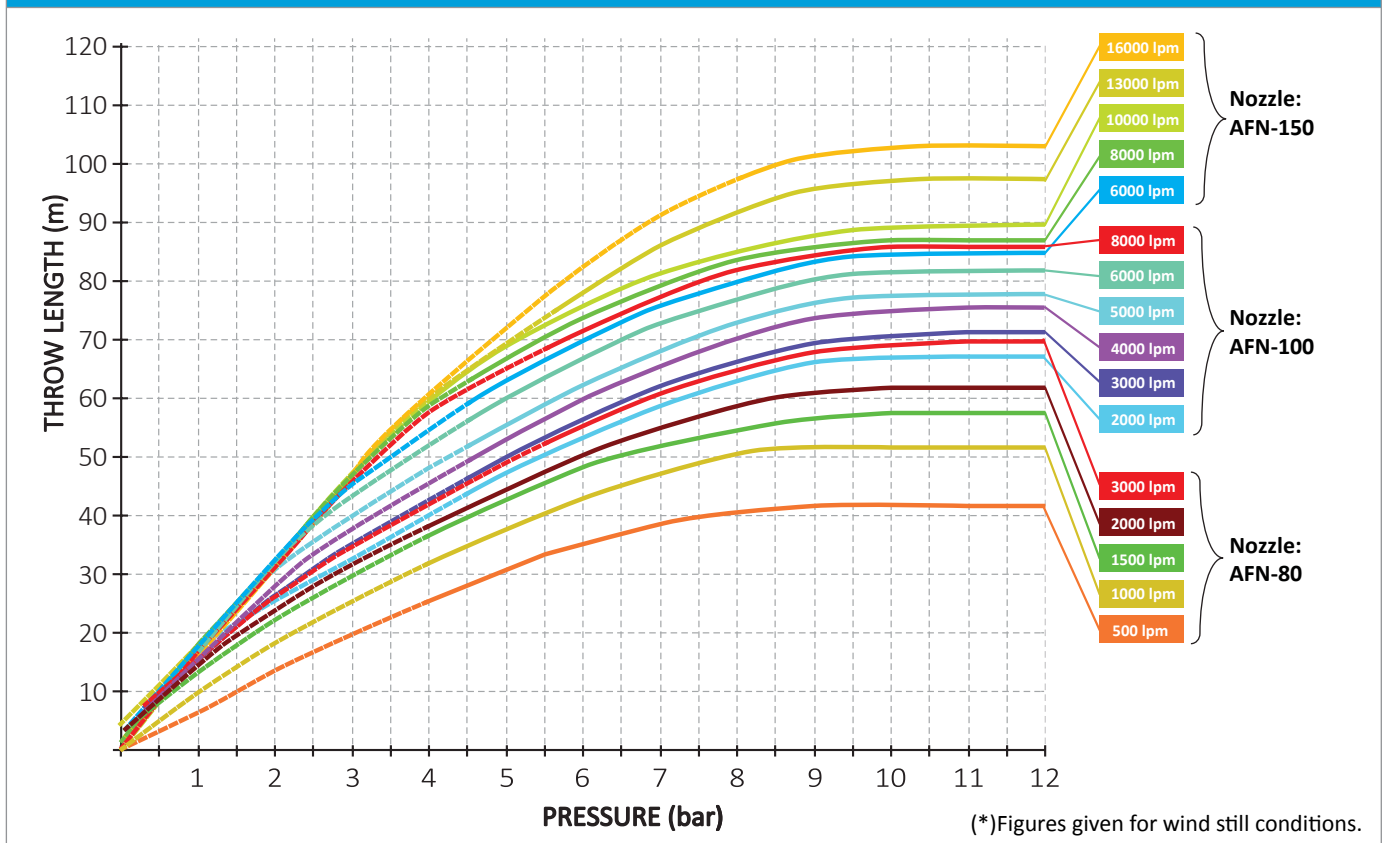


PERFORMANCE DATA AFN

Model	Flow rate max* [lpm]
RCM-80 AFN-80	3000
RCM-100 AFN-100	8000
RCM-150 AFN-100	16000

*Depending on available pressure

RANGE OF JET IN METERS AFN*





MODEL EXAMPLES

RCM-80 Ex 3D
Inverted mounting



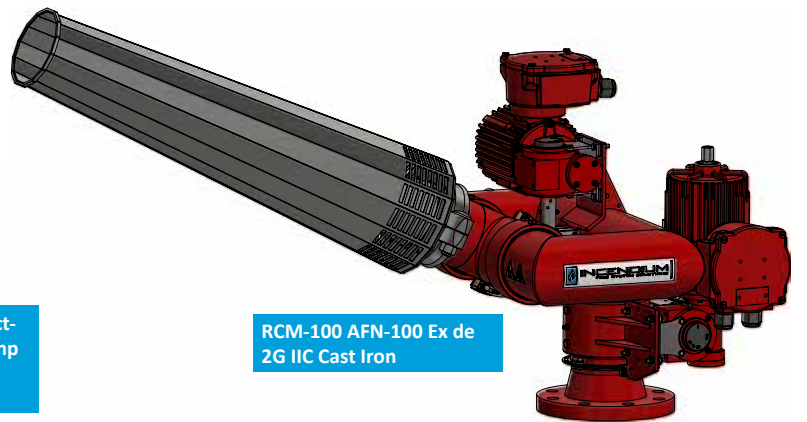
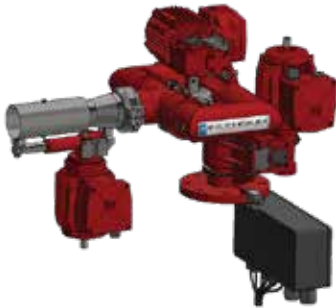
RCM-80 Standard
Positioning, Nozzle with Potentiometer



RCM-150 Ex 2G IIC -40°C Cast Iron
Searchlight

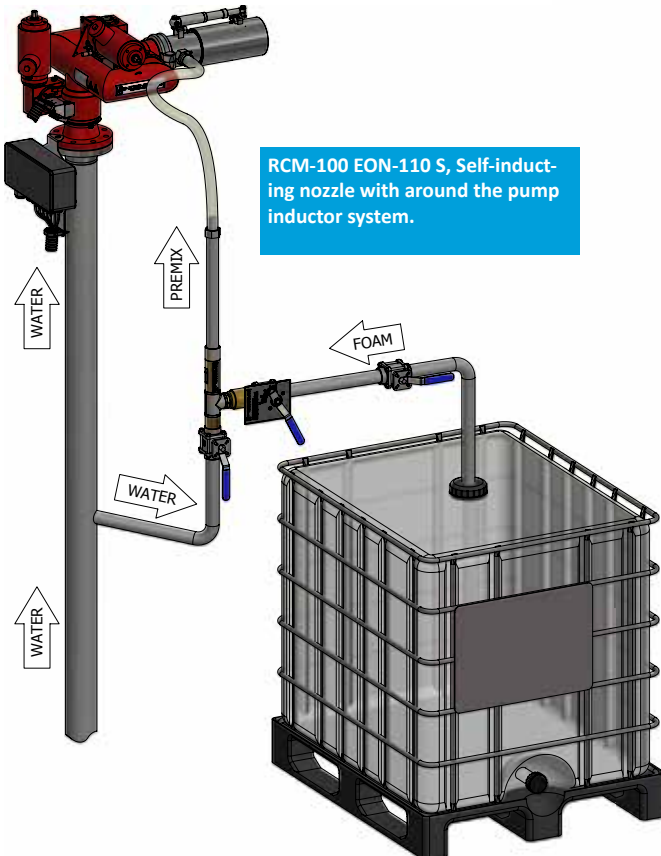


RCM-80 Ex 2G Cast Iron
Helideck, Self-draining



RCM-100 AFN-100 Ex de
2G IIC Cast Iron

RCM-100 EON-110 S, Self-inducting
nozzle with around the pump
inductor system.



RCM-100 Marine, All parts
and equipment in 316L

